

Cabinet Switch M2

Ref. E60928



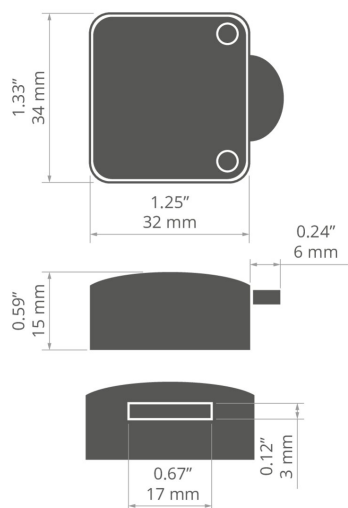
IP20

CE

UK
CA

- Small dimensions
- Easy assembly

TECHNICAL DRAWING



TECHNICAL SPECIFICATIONS

IP protection rating	20
Width	34 mm
Height	15 mm
Length	32 mm
Weight	0.13 kg
Mounting method	screw, śruba
Driver type	Mono
Number of channels	1
Rated current per channel	2 A
Maximum output power per channel	500 W
Maksymalny prąd wejściowy	2 A

Color	Ref
■ black	E60928C07
□ white	E60928C10

Cabinet Switch M2

Ref. E60928

SAMPLE PROJECTS

