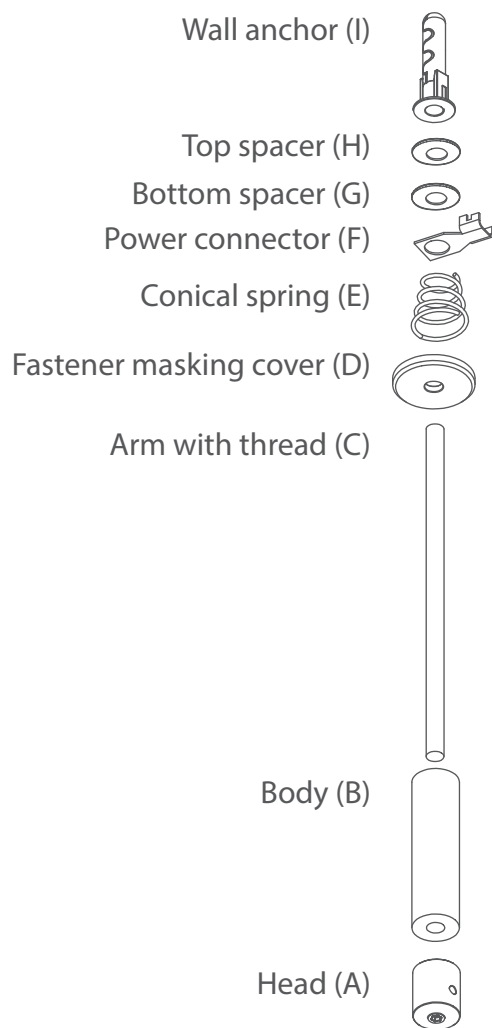


Parts needed to mount the SCONCE CONDUCTIVE BOTTOM FASTENER

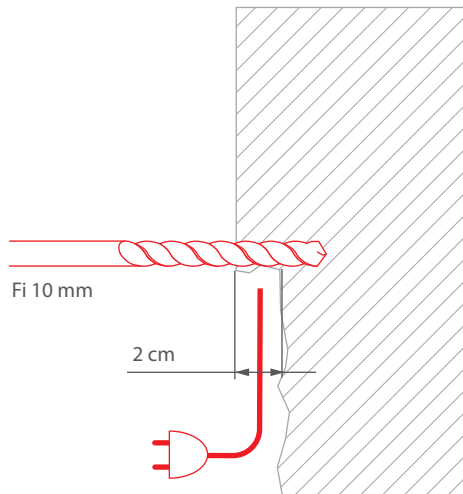


Tools needed for mounting:

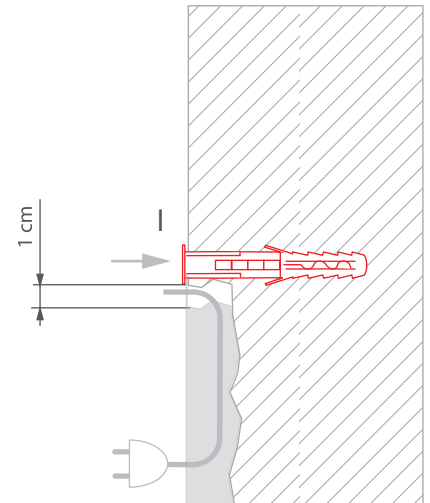
- Allen wrench
- drill
- pliers

NOTE! A list of products corresponding with the selected accessories is available at www.klusdesign.eu/uk.

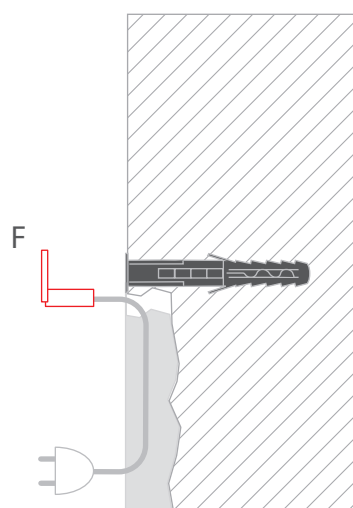
1. Drill a 10mm diameter hole in a brick wall. Remove some plaster and run the power cable. The cut out cable duct must be at least 2 cm deep. The cable must reach the drilled hole.



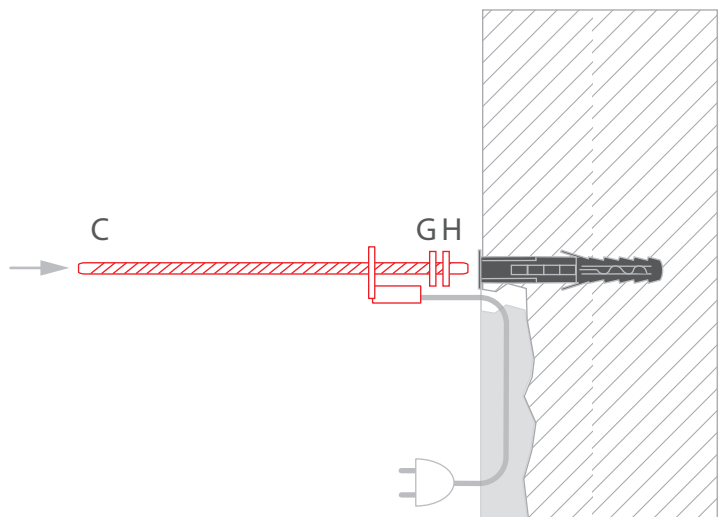
2. Insert the anchor (I). After running the anchor, cover the cut out cable duct with plaster, leaving the cable end sticking out. The cable must not stick out more than 1 cm from the anchor (so that it does not stick out of the fastener masking cover).



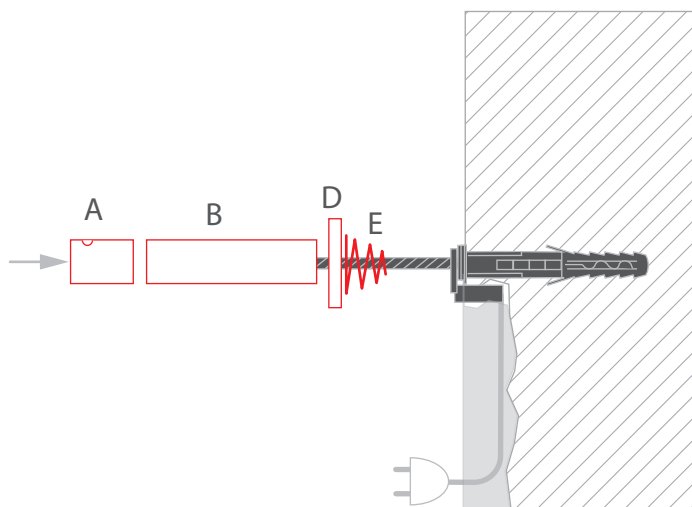
3. Attach the power connector (F) to the cable end and bend it so that its sleeve and the cable fit onto the drilled hole.



4. Attach the power connector and the top and bottom spacers (G, H) to the arm with thread (C). Insert the arm with thread into the anchor.



5. Put the conical spring (E), the fastener masking cover (D), body (B) and head (A) on the arm with thread. Fix the entire assembly to the wall tightly.



6. Run a steel cable through the head. To block it, tighten the pressure screw in the head with the Allen wrench.

