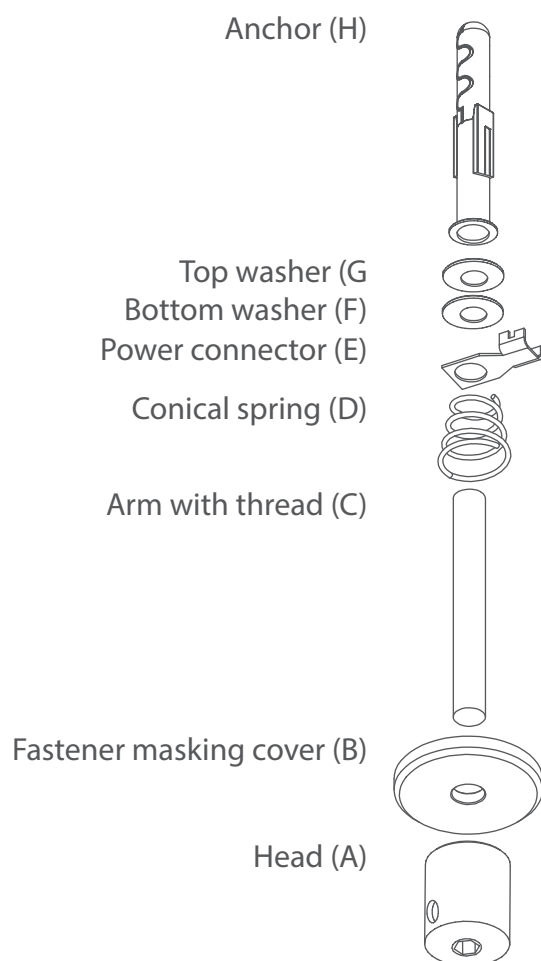


Parts needed to mount the P-M-Z fastener

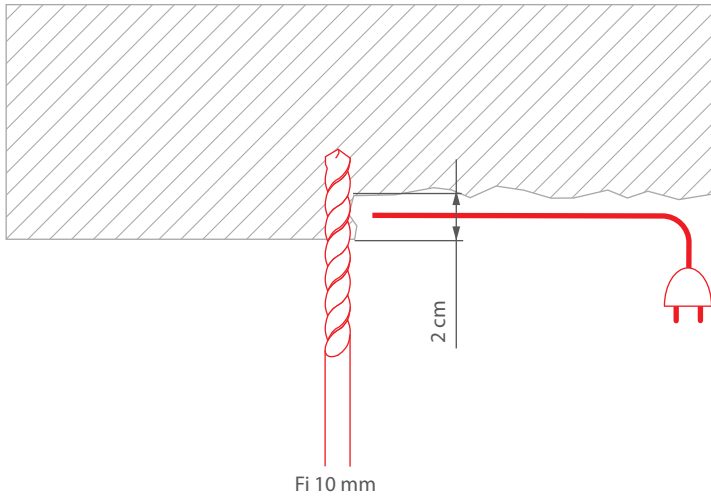


Tools needed for mounting:

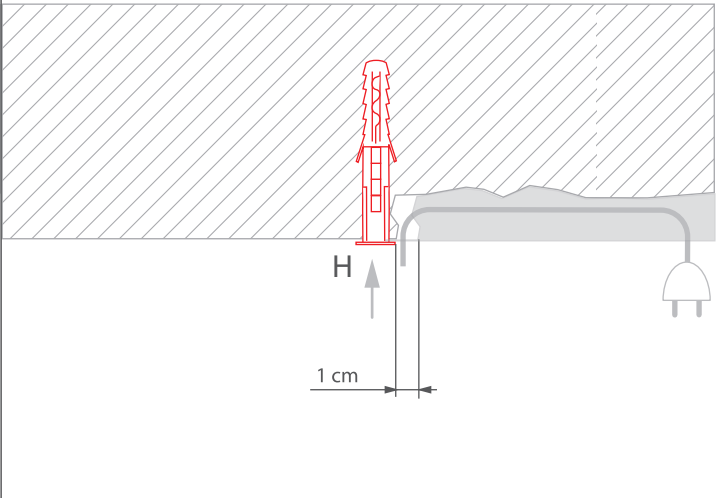
- Allen wrench
- drill
- pliers

NOTE! A list of products corresponding with the selected accessories is available at www.klusdesign.eu

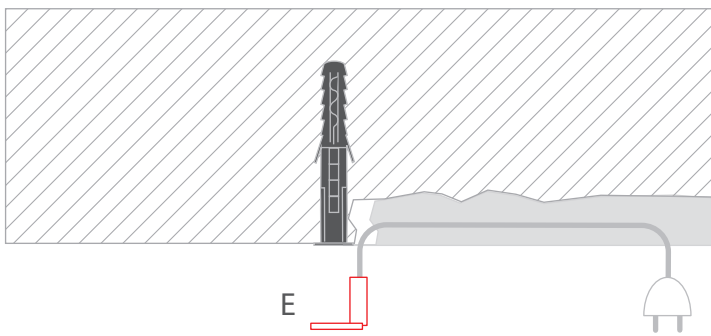
1. Drill a hole with a diameter of 10 mm in a brick wall. Remove some plaster and run the power cable. The cut out cable duct must be at least 2 cm deep. The cable must reach the drilled hole.



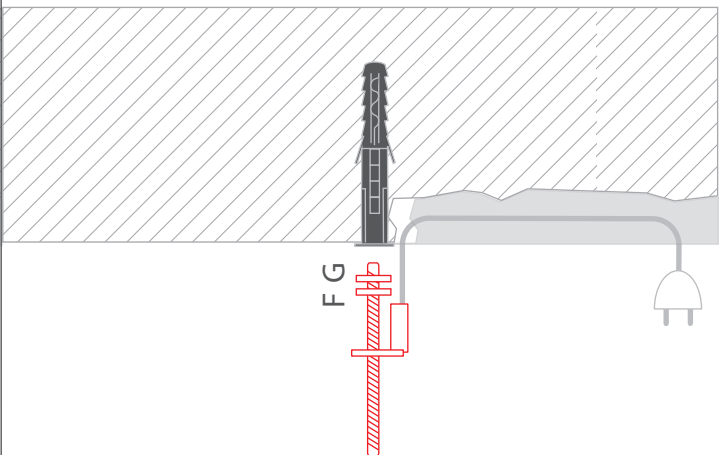
2. Insert the anchor (H) into the hole. The cable must be in one of the incisions in the anchor flange.



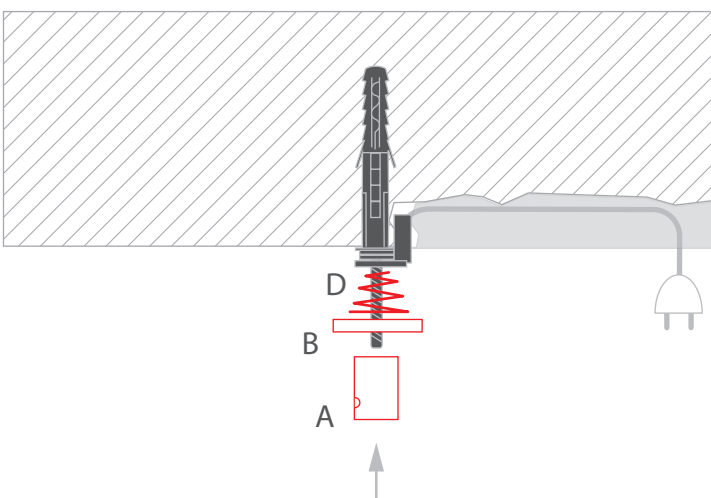
3. Attach the power connector (H) to the cable end and bend it so that its sleeve and the cable fit onto the drilled hole.



4. Attach the power connector and the top and bottom spacers (F, G) to the arm with thread (C). Insert the arm with thread into the anchor.



5. Put the conical spring (D), masking cover (B), and head (A) on the arm with thread. Fix the entire assembly to the wall tightly.



6. Insert the arm with thread into the head and block it by tightening the pressure screw with the Allen wrench.

