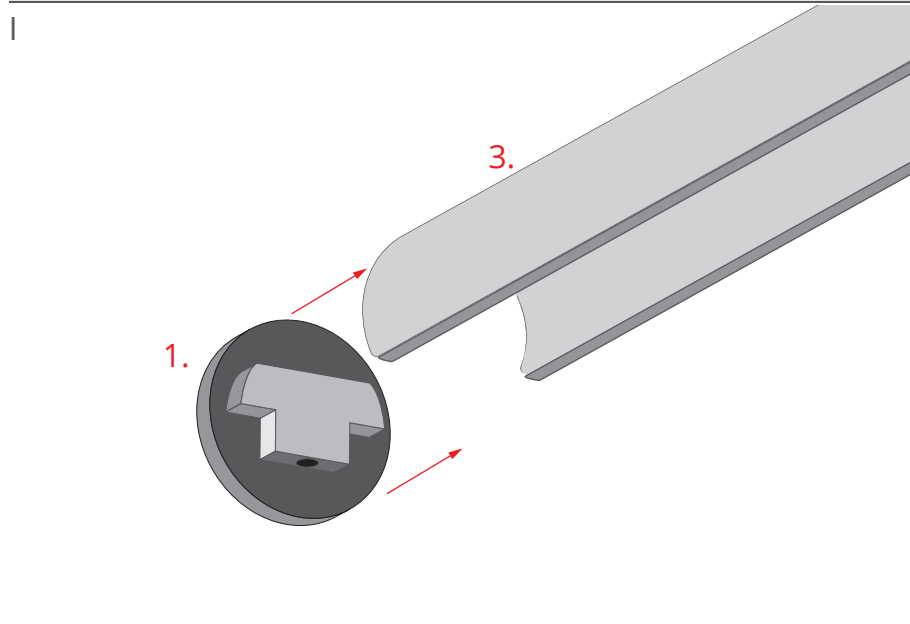


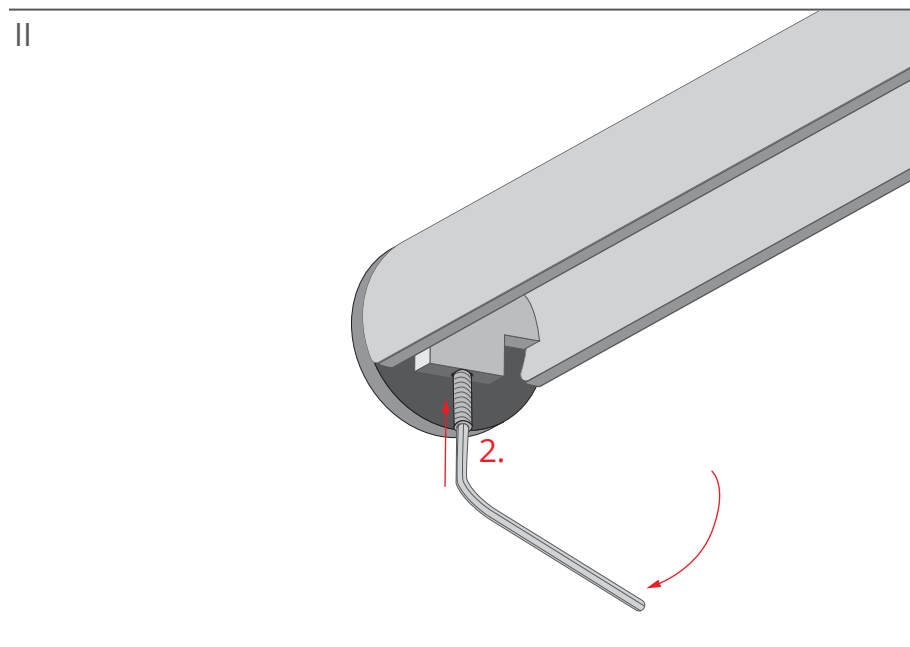
- 1. End cap*
- 2. Set screw
- 3. Profile*
- 4. Cover*

*Other end caps, mounted with a set screw along with corresponding profiles and covers are available at www.KlusDesign.eu.

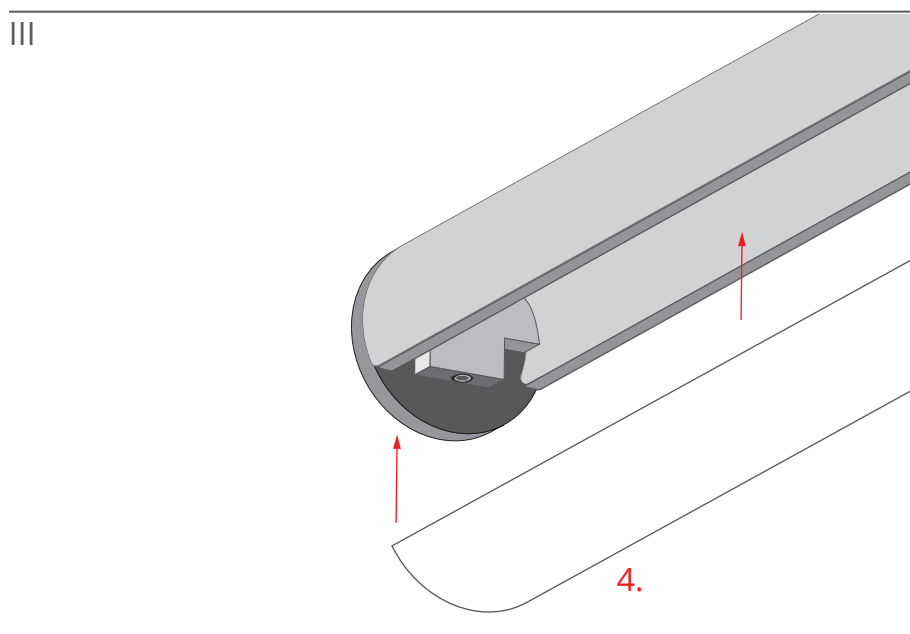
IMPORTANT: Drawings of profiles and accessories in these instructions are simplified and only approximate the actual shapes.



Mount the end cap (1) in the profile (3).



Lock the end cap, by tightening the set screw (2) with an allen wrench.



Mount the cover (4) in the profile.