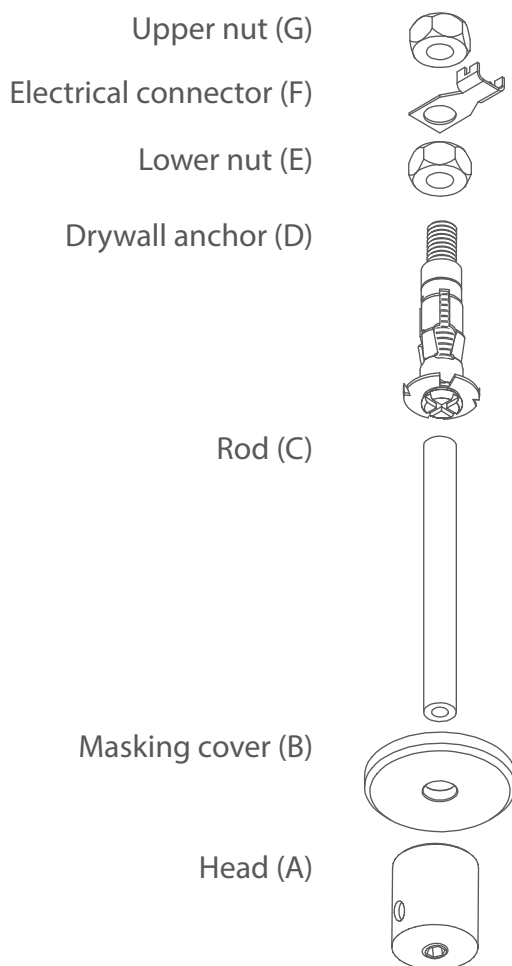


Parts needed to mount the P-KG fastener:

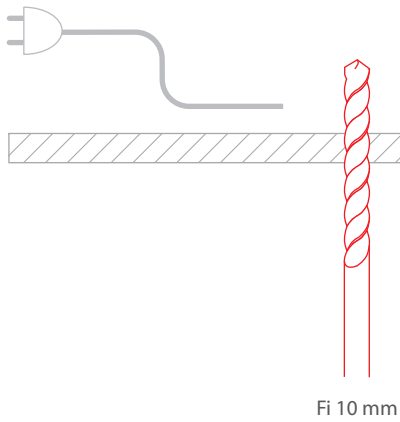


Tools needed when mounting:

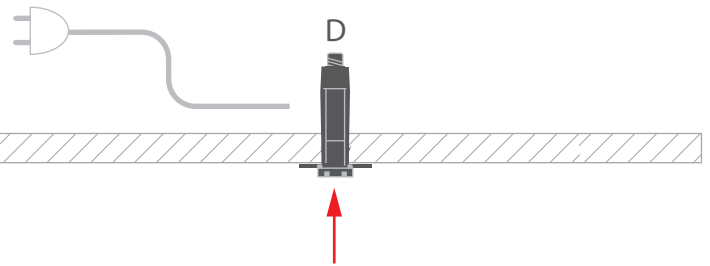
- allen wrench
- drill
- hollow wall anchor setting tool

NOTE! A list of products corresponding with the selected accessories is available at www.klusdesign.eu

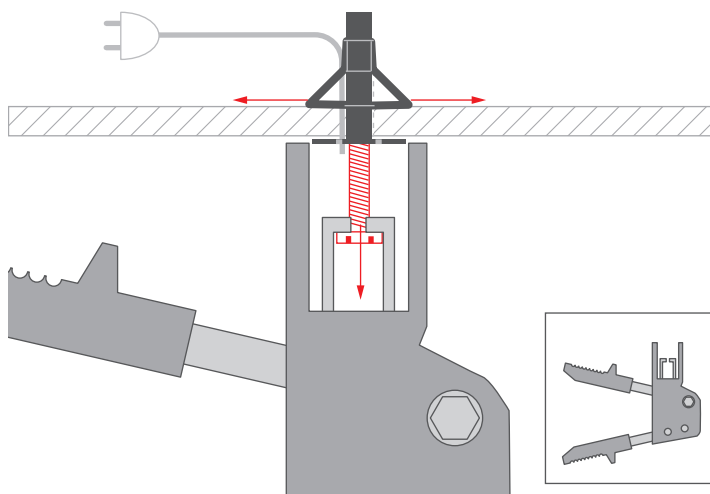
1. Drill a hole in the drywall 10 mm in diameter. Run a power wire to the hole.



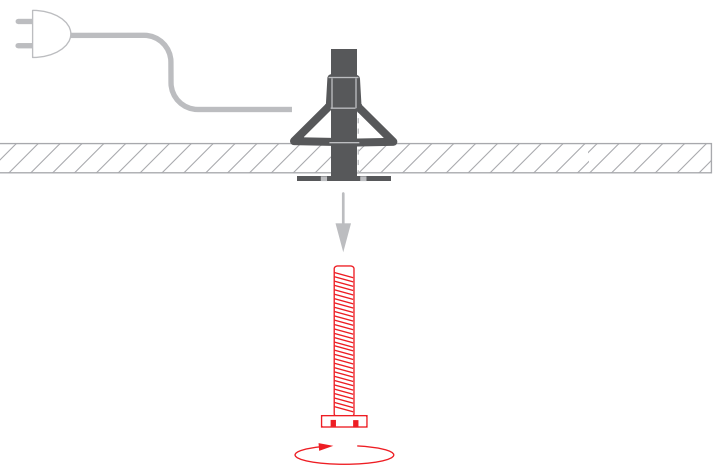
2. Insert the anchor (D) into the hole.



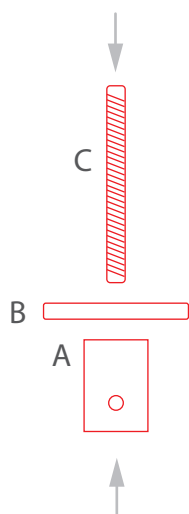
3. Pull the screw with dedicated hollow wall anchor setting tool to expand the anchor and secure it in the drywall.



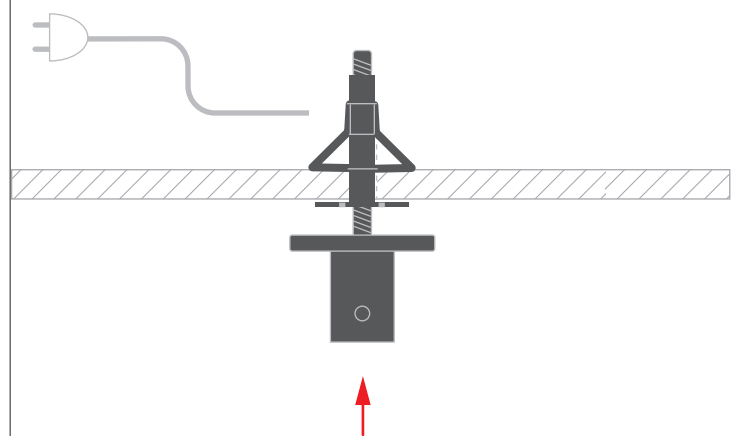
4. Remove the screw from the anchor.



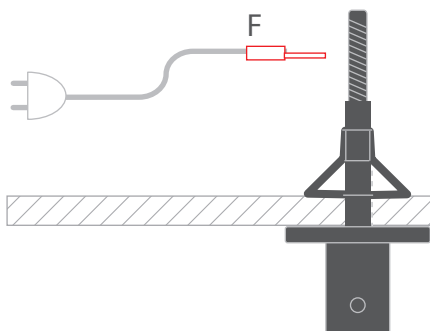
5. Assemble together – rod (C), masking cover (B), and head (A).



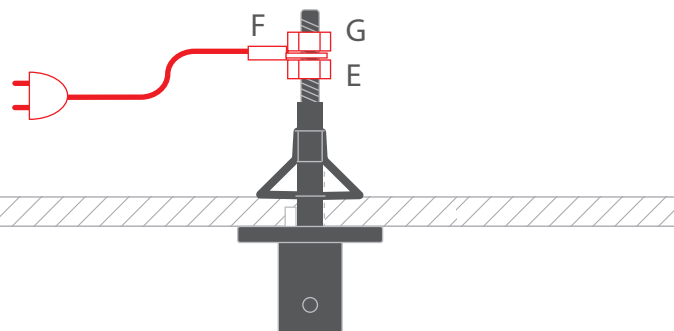
6. Mount all in the anchor so that the masking cover will fit tightly against the drywall.



7. Attach electrical connector (F) to the power wire



8. Thread the lower nut (E) onto the rod, electrical connector (F) and finally the upper nut (G) tightly so that the electrical connector does not move.



9. Mount threaded rod from the fixture into the head. Block the rod by tightening the allen screw with the allen key

