

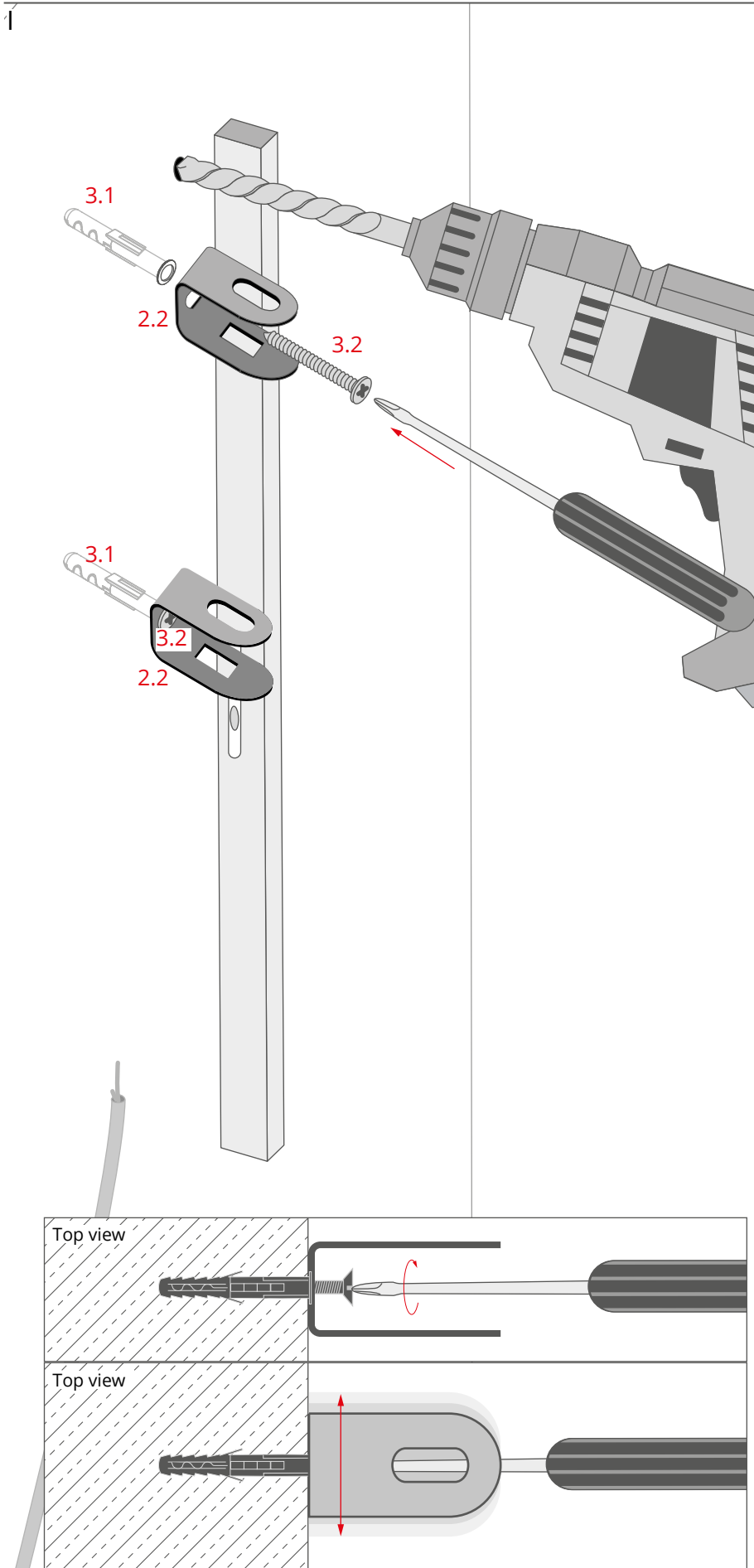
- 1. HR-OPTI lighting fixture
- 2.1 Mounting bracket (item 2.1)*
- 2.2 Mounting bracket (item 2.2)*
- 2.3 Mounting bracket nut (item 2.3)*
- 2.4 Mounting bracket bolt (item 2.4)*
- 3.1 Anchor
- 3.2 Screw
- 4. Cable for a 12 V or 24 V power supply*
- 5.1 Hermetic coupler (item 5.1)*
- 5.2 Hermetic coupler (item 5.2)*
- 5.3 Hermetic coupler (item 5.3)*
- 5.4 Hermetic coupler (item 5.4)*
- 6.1 Connector (item 6.1)*
- 6.2 Connector (item 6.2)*

*The full range of accessories and electronics is available at www.KlusDesign.eu

**Use a cable with circular insulation and an outer diameter not less than 6 mm / 0.24" and not more than 9 mm / 0.35".

NOTE! The fixture comes with a Z-type fastener. A damaged external flexible conductor in this fixture cannot be replaced. In the event of damage to the external flexible conductor, the fixture must be disposed. The light source of this fixture is not replaceable; when the light source is worn out, the entire lighting fixture must be replaced.

IMPORTANT: Not all possible mounting procedures are presented here. More mounting procedures and related accessories can be found at www.KlusDesign.eu. Drawings of profiles and accessories in these instructions are simplified and only approximate the actual shapes.

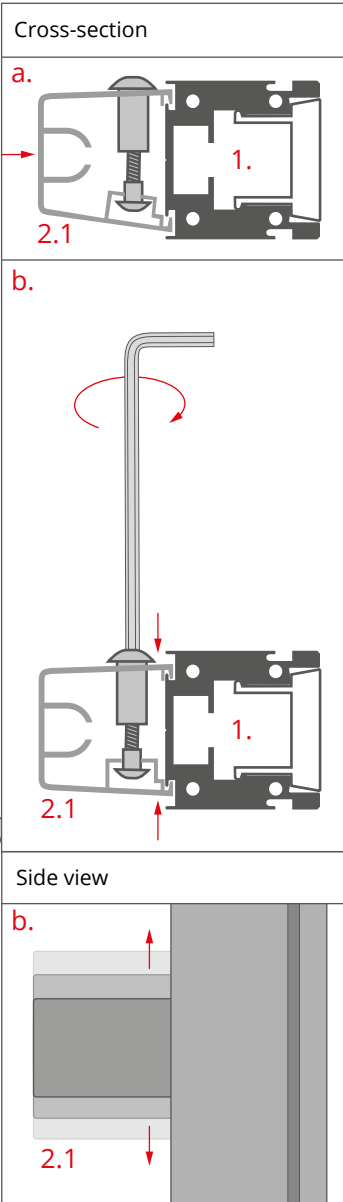
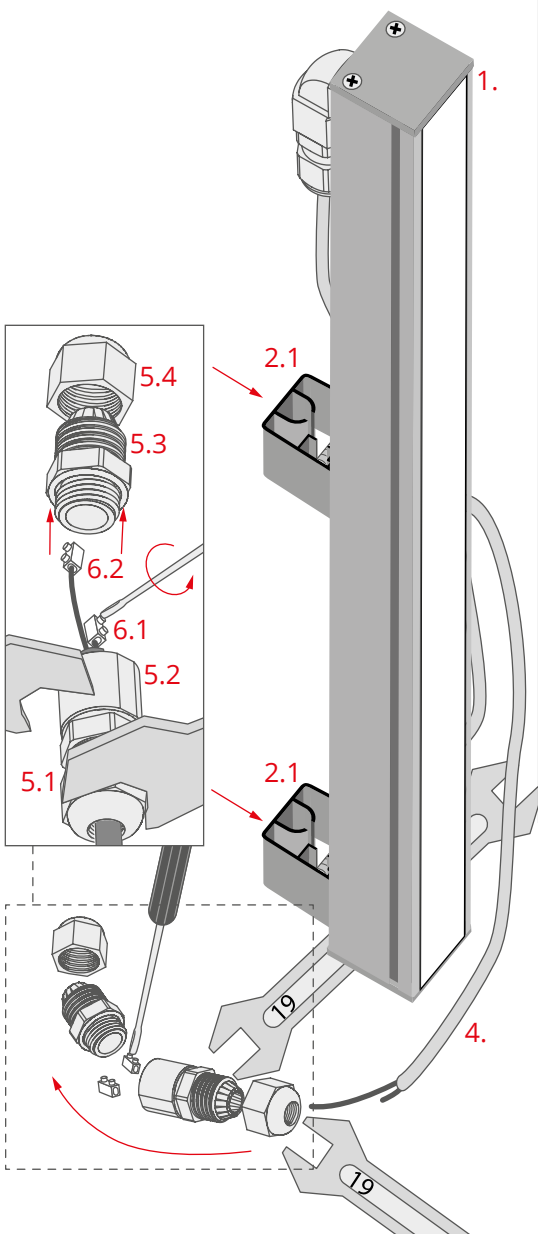


Drill holes in the mounting surface, place anchors (3.1) in them and screw the mounting bracket items (2.2) into them using screws (3.2).

It is recommended to use:
2 brackets for a 2-meter fixture
4 brackets for a 3-meter fixture
For fixtures shorter than 2 meters, at least two mounting brackets should be used.

Drill a hole for routing the power cable.

II



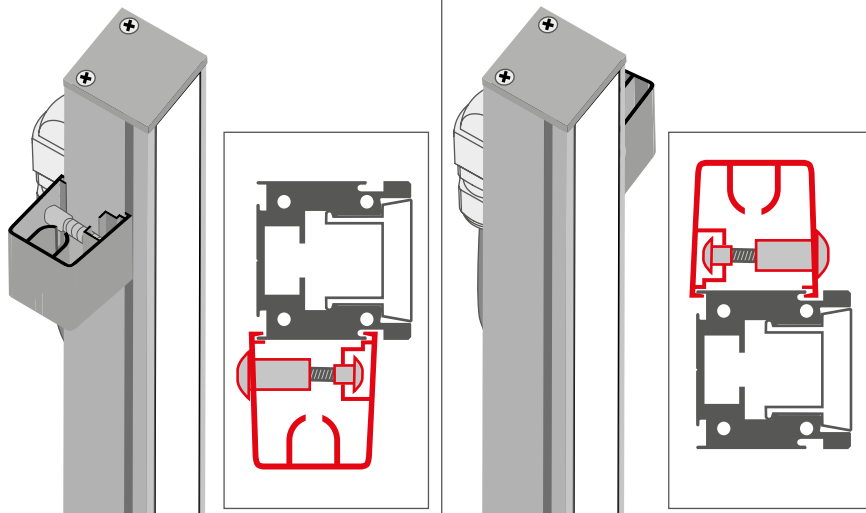
Put the mounting bracket items (2.1) on the back of the fixture (1).
To do this:

- a. Grasp the guide on the back of the fixture with the arms of item (2.1).
- b. Tighten the nut mounted in the arms of item (2.1) with the Allen wrench, but leave enough slack to allow its position to be corrected.

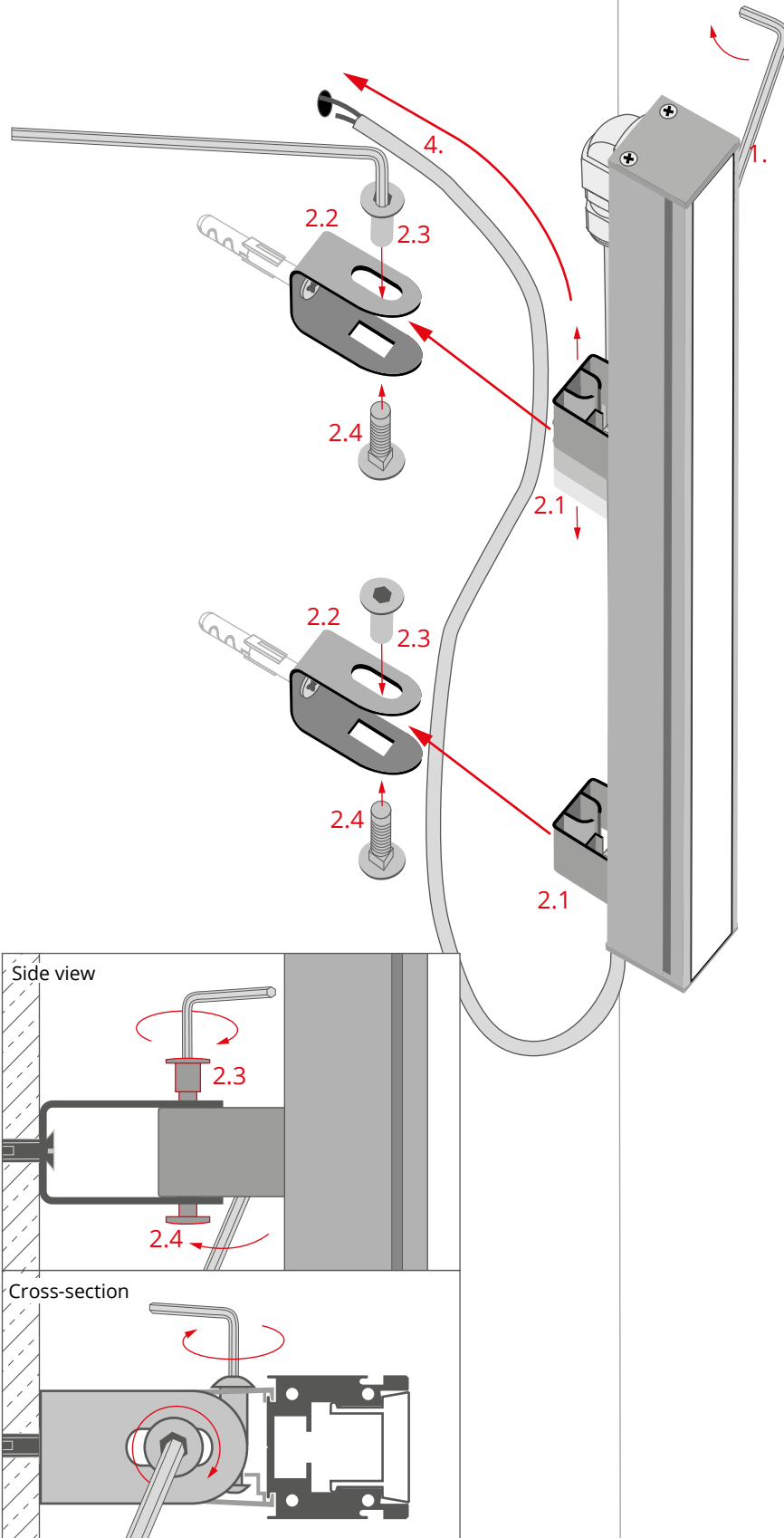
Unscrew and remove all items of the coupler (5.1, 5.2, 5.3, 5.4) and those of the fastener (6.1, 6.2) from the cable (4).

OPTIONALLY

The lighting fixture can also be grabbed at the sides.



III

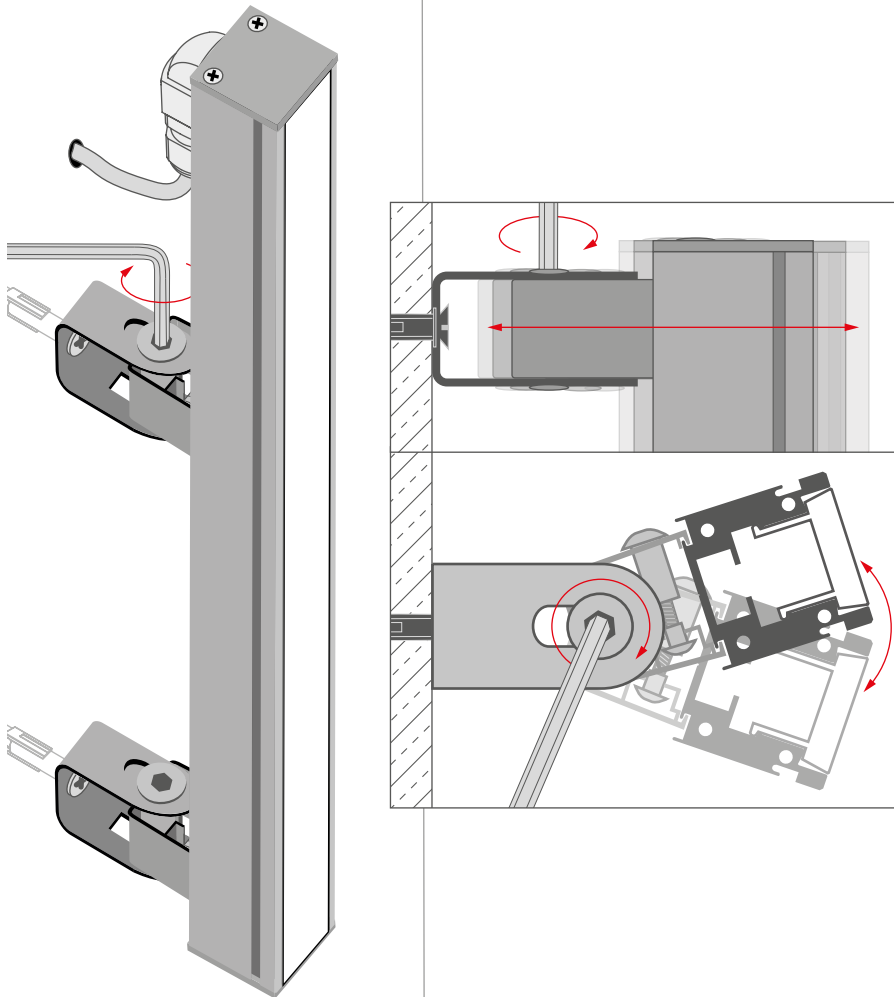


Route the power supply cable (4) through the previously drilled hole to the other side of the wall.

Mount the lighting fixture (1) using the mounting bracket items (2.1), by inserting them into the items (2.2) screwed to the wall. During this procedure, you can adjust the position of the items (2.1). After adjustment, tighten their nuts.

Block the movement of the mounting items (2.1, 2.2), by tightening the nuts and bolts (2.3, 2.4).

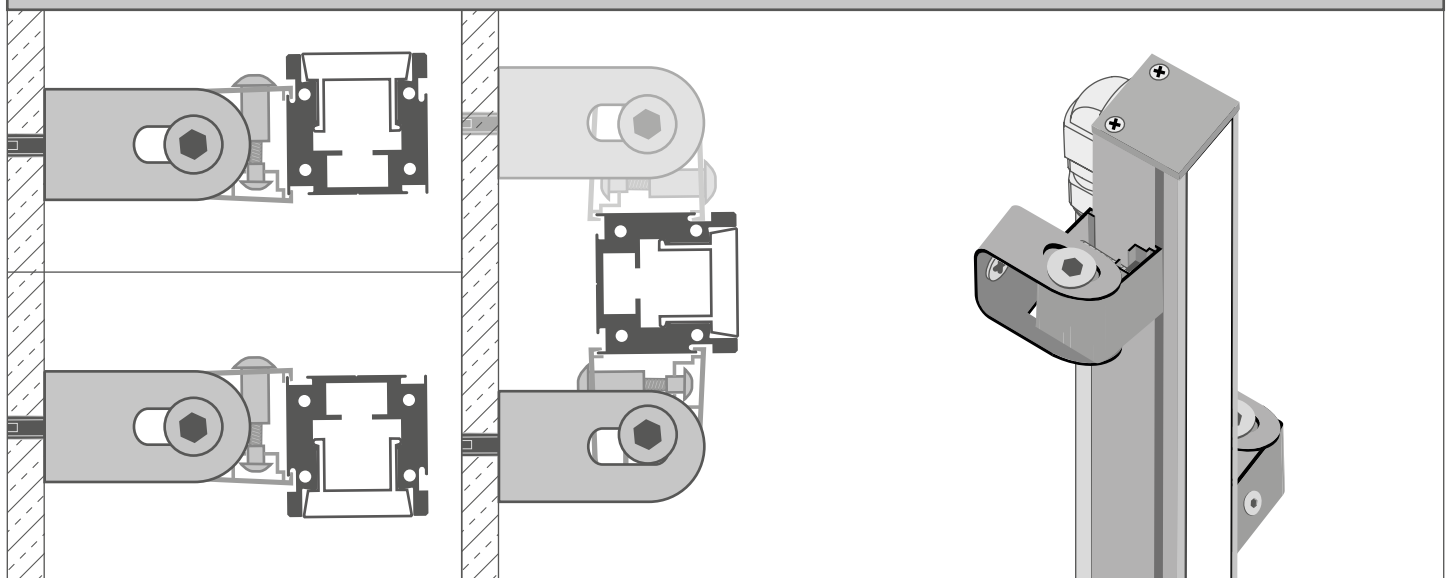
OPTIONALLY

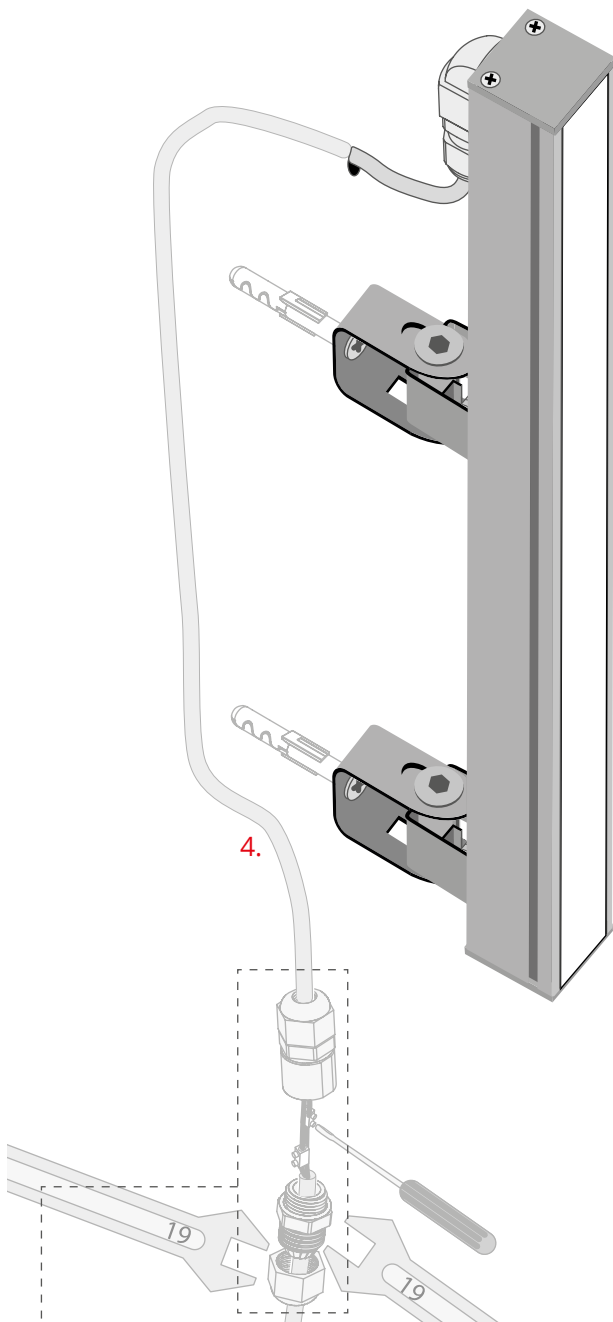


By gently loosening the bolts in the mounting brackets, you can adjust the relative position of the mounting bracket items and the distance of the fixture from the wall. This way the vertical position of the fixture can be retained on an uneven surface.

The direction of illumination can be adjusted in a similar way.

OPTIONAL METHODS FOR ARRANGING THE MOUNTING BRACKETS

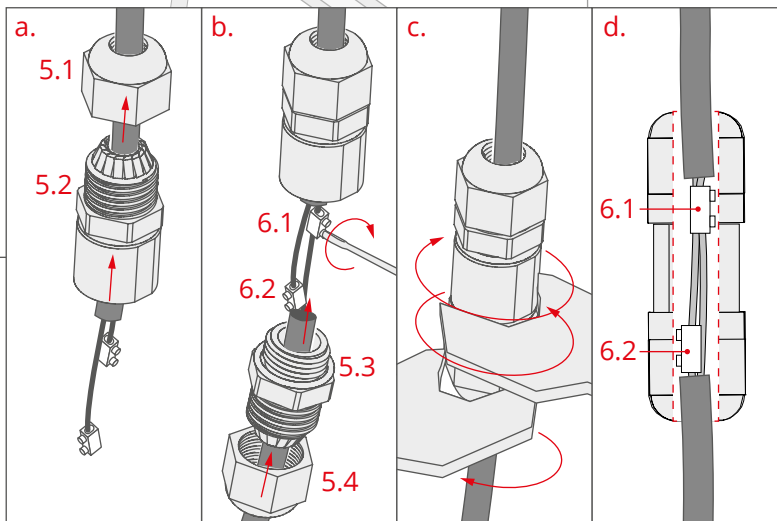




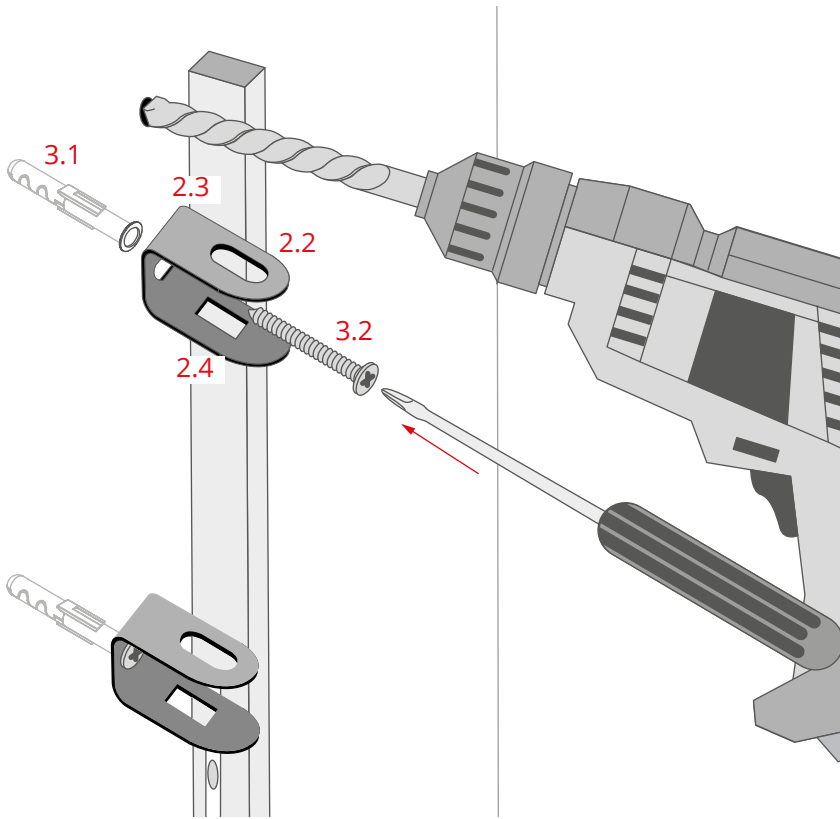
On the other side of the wall, assemble the coupler by connecting the wires of the 12V / 24V power supply (4).

To do this:

- a. Put the hermetic coupler items (5.1, 5.2) on the cable coming out of the fixture.
 - b. Put the coupler items (5.3, 5.4) on the other part of the cable. Connect the wires using the two connector items (6.1, 6.2).
 - c. Screw all the items of the coupler together.
- NOTE!** The items must be tightened with a torque of 1.7 Nm.
- d. When placing the cables inside the coupler, make sure that the two items of the connector (6.1, 6.2) do not touch each other.



OPTIONAL MOUNTING METHOD

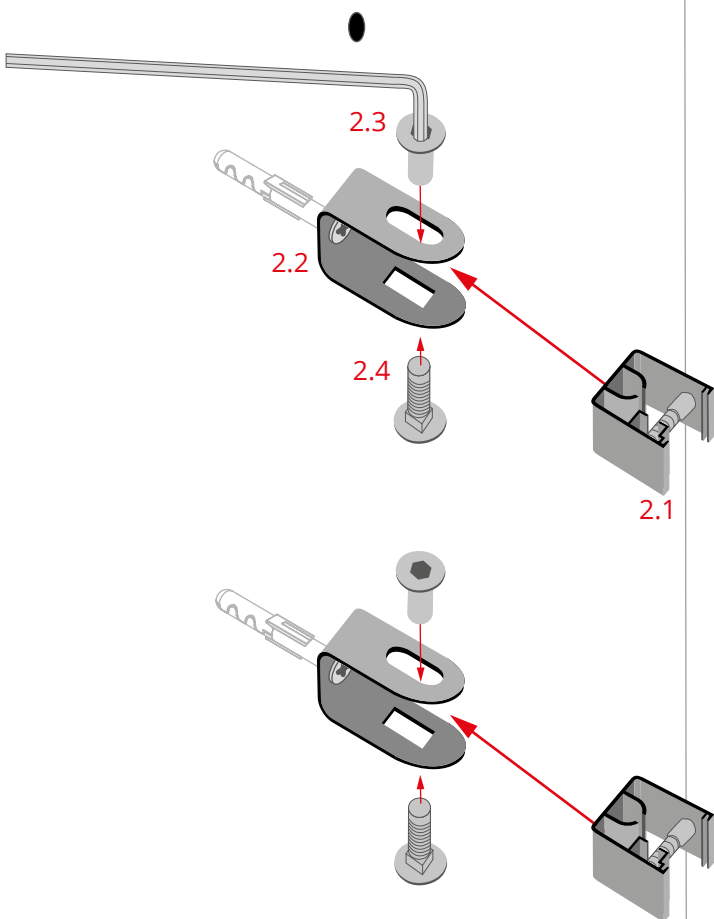


Repeat the procedure described in point I

Drill holes in the mounting surface, place anchors (3.1) in them and screw the mounting bracket items (2.2) into them using screws (3.2).

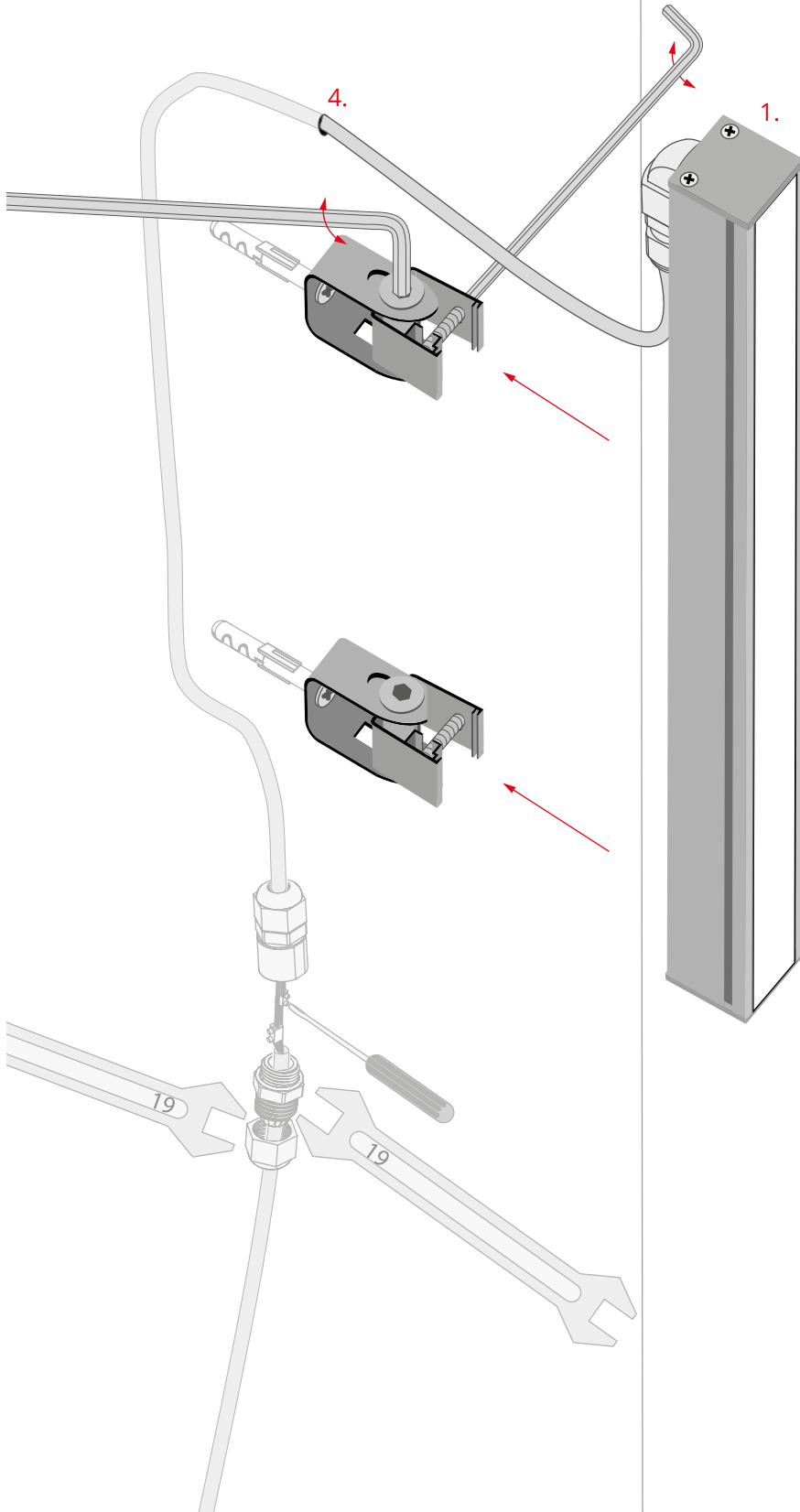
It is recommended to use:
 2 brackets for a 2-meter fixture
 4 brackets for a 3-meter fixture
 For fixtures shorter than 2 meters, at least two mounting brackets should be used.

Drill a hole for routing the power cable.



Mount the items (2.1) into the items (2.2) with the use of an allen wrench and the nuts and bolts (2.3, 2.4).

OPTIONAL MOUNTING METHOD



Insert the power cable (4) and mount the lighting fixture (1) in the mounting brackets. To do that, loosen both the screws in the bracket to enable proper grip on the profile. Then, tighten them to lock the fixture in place.