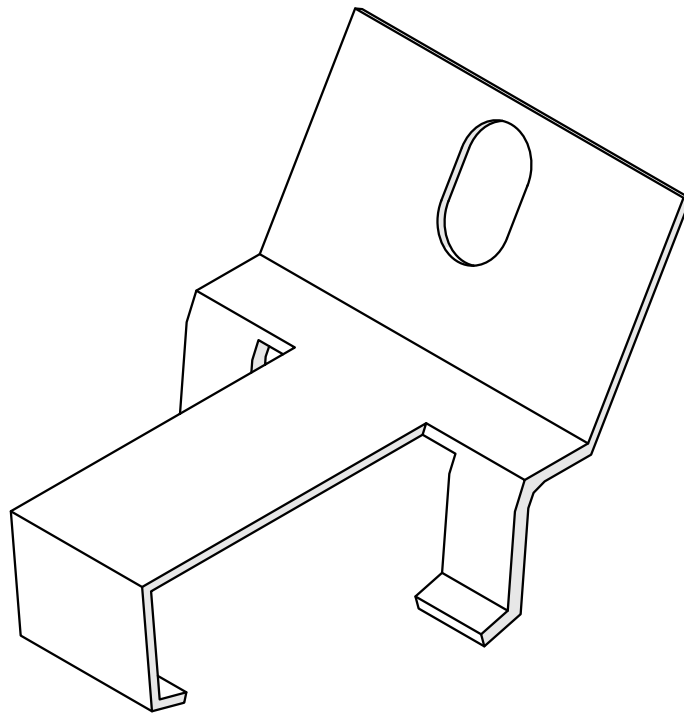
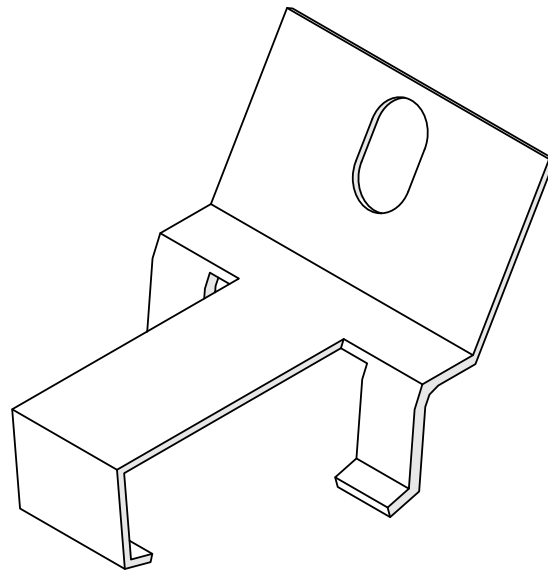
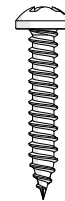


## **PDS-STN-60G Mounting bracket**

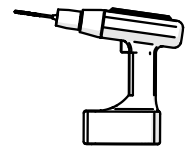




1x



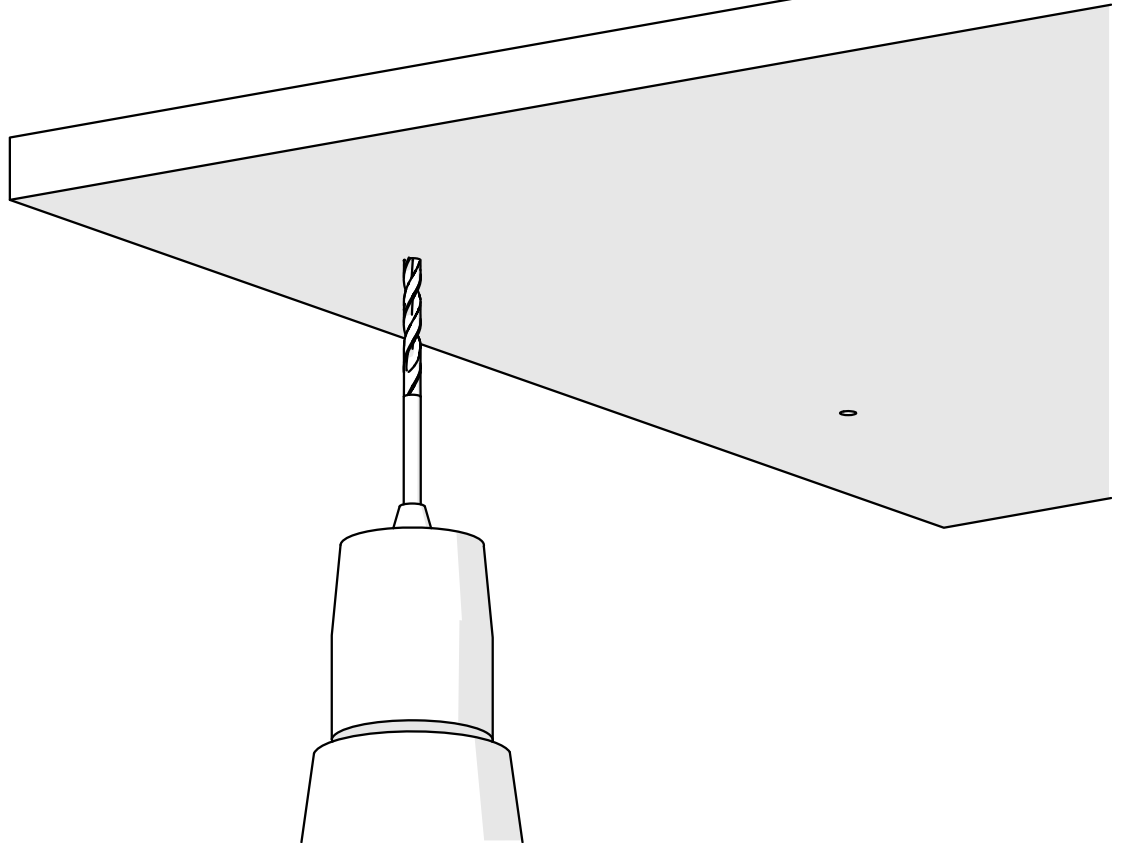
1x



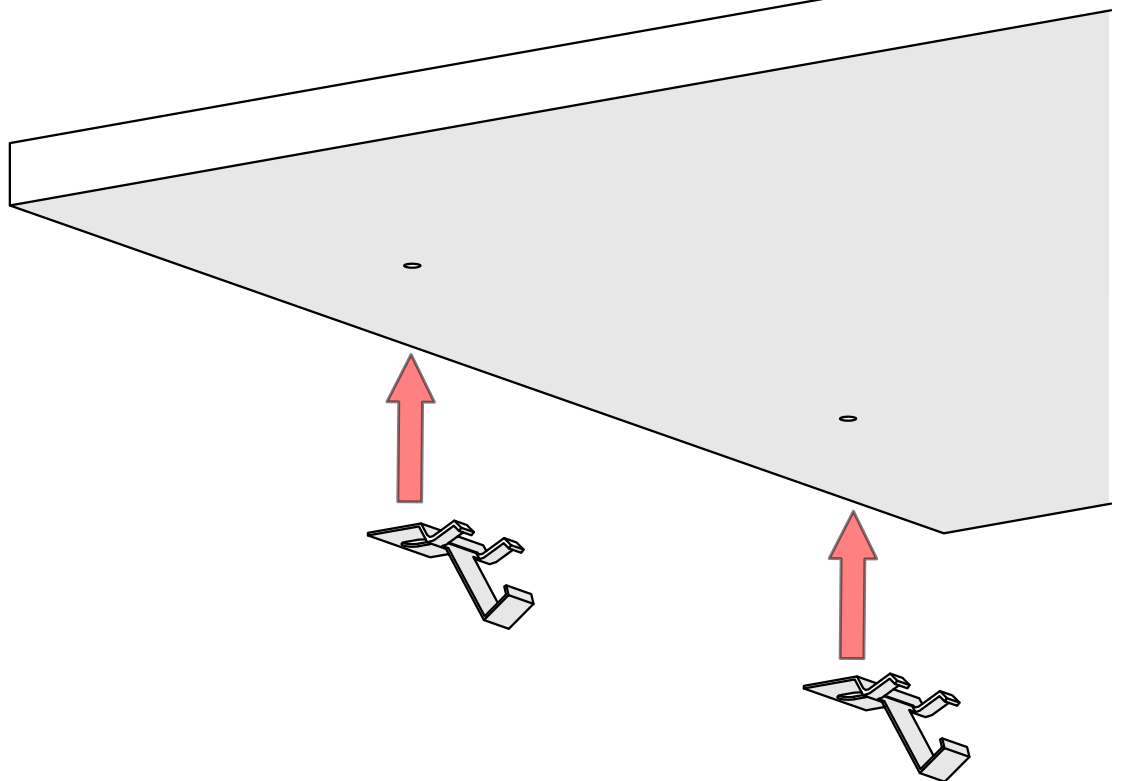
PDS-STN-60G Mounting bracket (ref. 24455)

**IMPORTANT:** Not all possible mounting procedures are presented here. More mounting procedures and related accessories can be found at [www.KlusDesign.eu](http://www.KlusDesign.eu). Drawings in these instructions are simplified and only approximate the actual shapes.

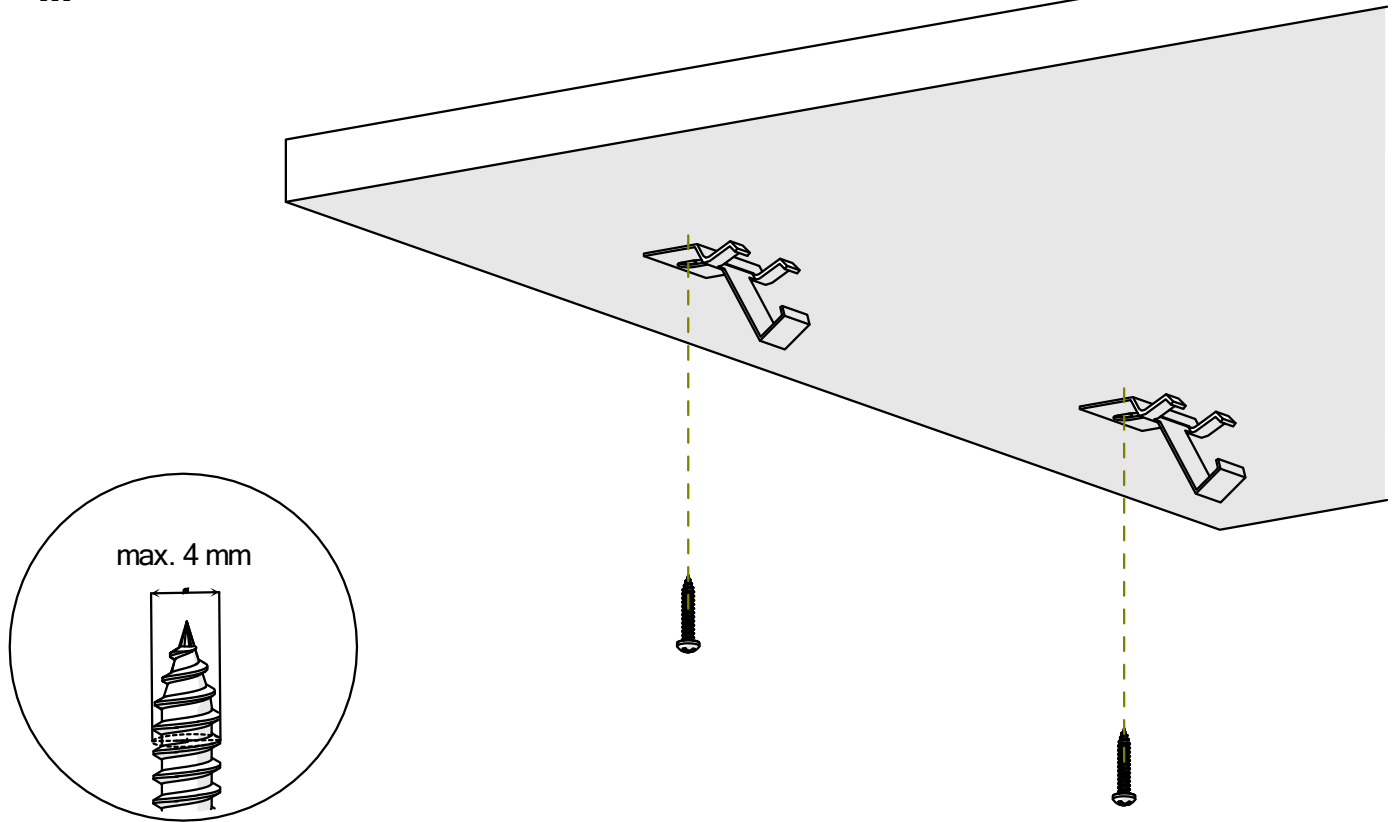
I



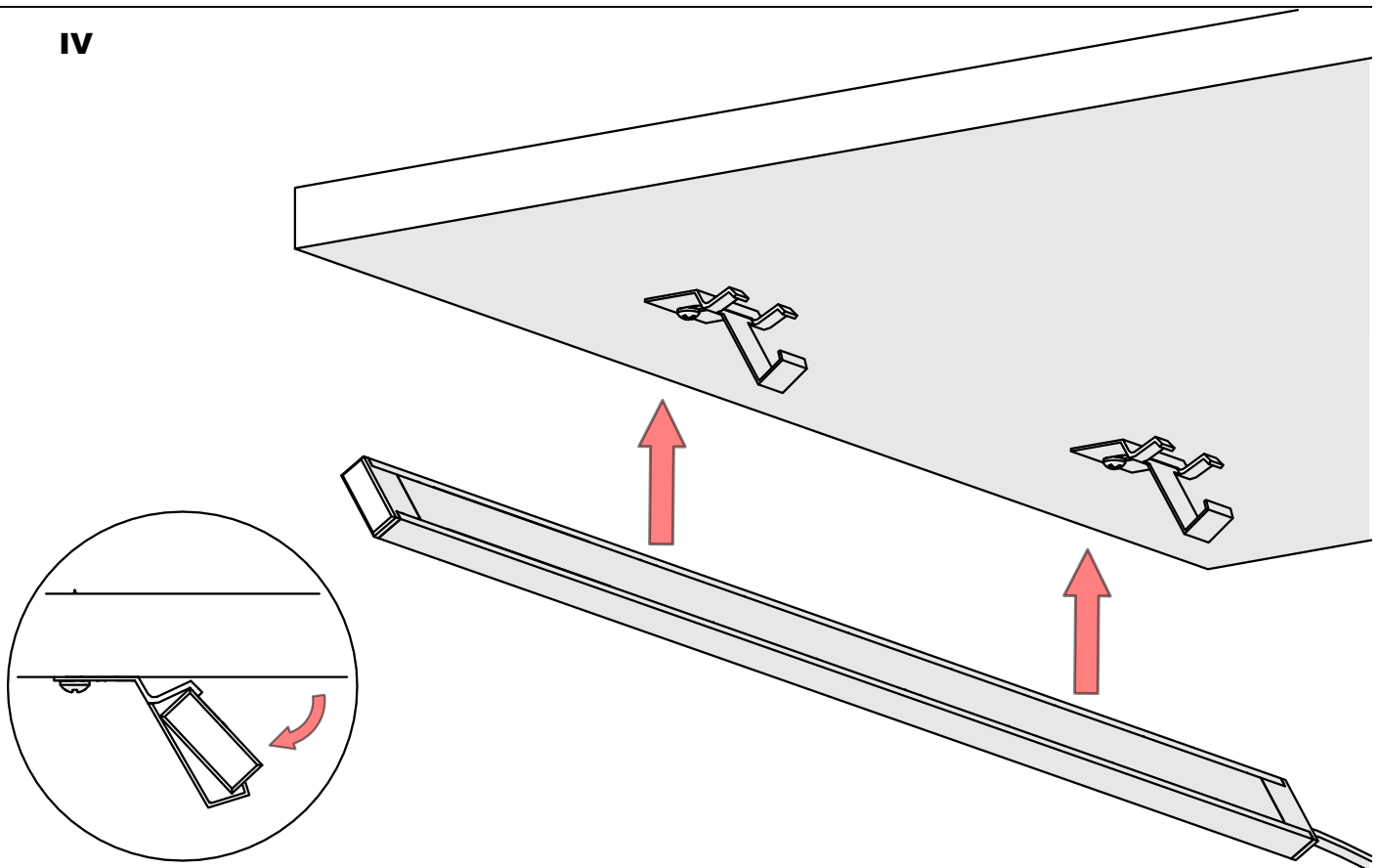
II



**III**



**IV**



**V**

