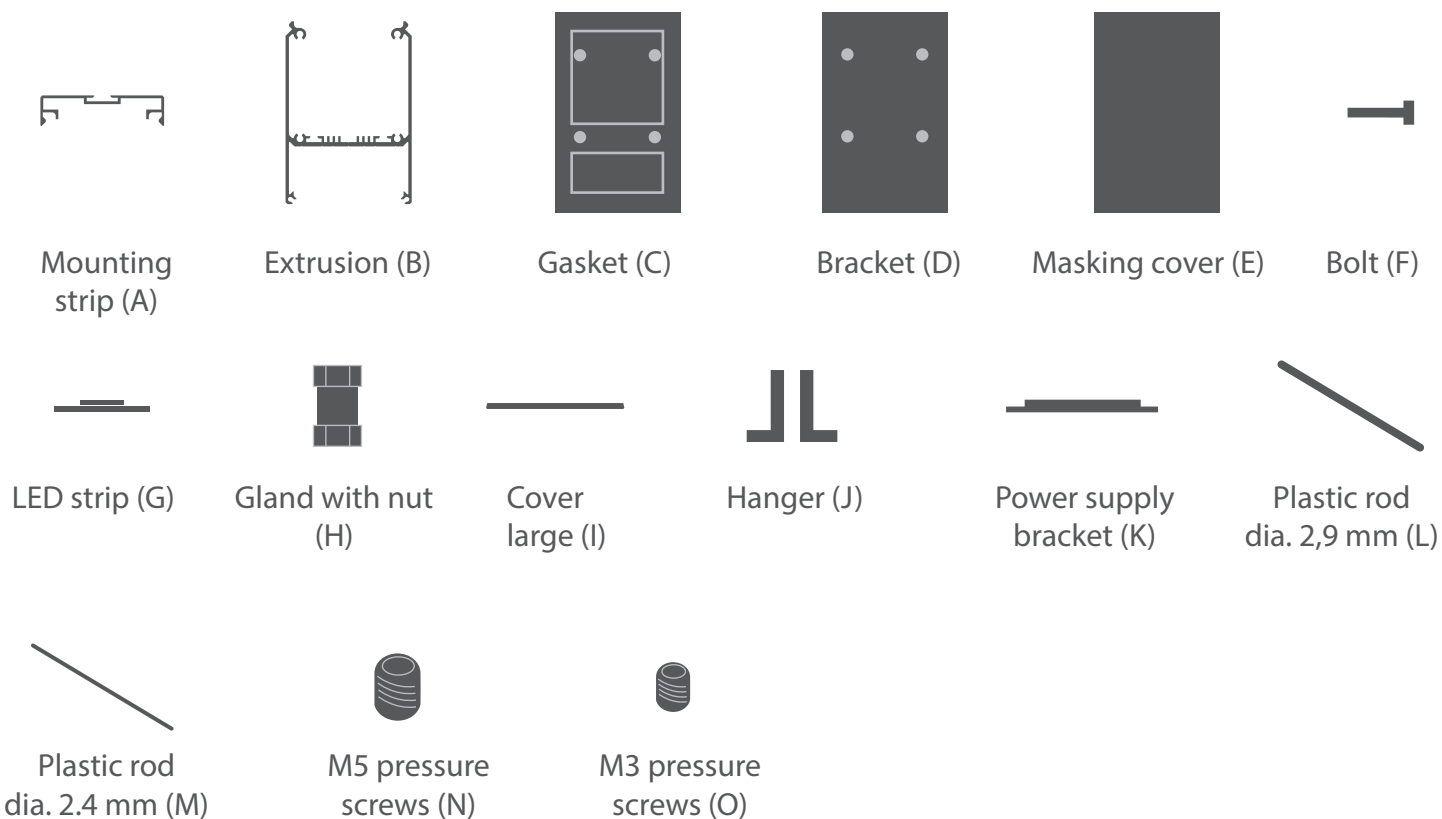


Parts needed to mount the GLADES extrusion



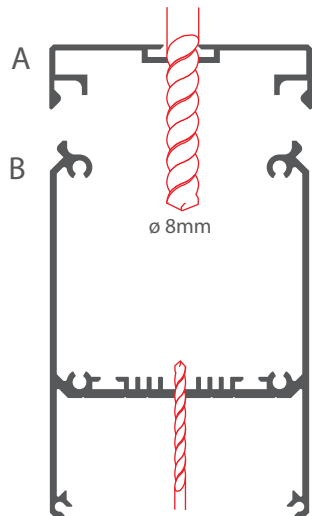
Tools needed for mounting:

- drill
- screwdriver
- hand saw

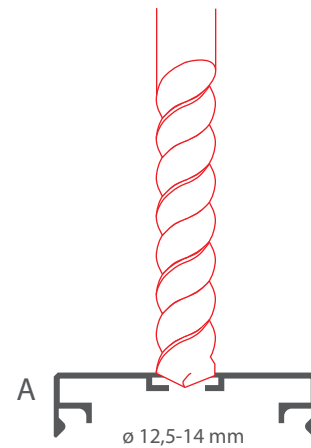
NOTE! All LED strips must be connected to a 12 V or 24 V power supply.

IMPORTANT: The manual presents the simplest mounting procedure.
More mounting procedures and related accessories can be found at www.klusdesign.eu

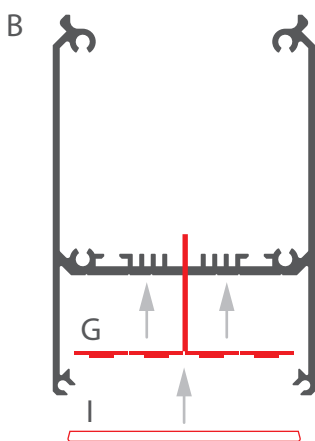
1. Drill holes in the mounting strip (A) to run the LED power from the chambers and mount the gland. For the gland drill an 8 mm diameter hole. Drill holes in the extrusion (B) to run the power cable.



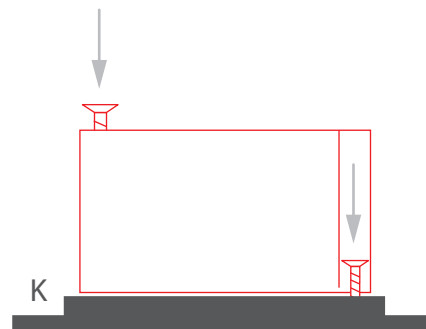
2. Bevel the channel in the mounting strip (A) over the gland hole. The drill bit diameter must be 12.5-14 mm. This will ensure correct mounting of the gland.



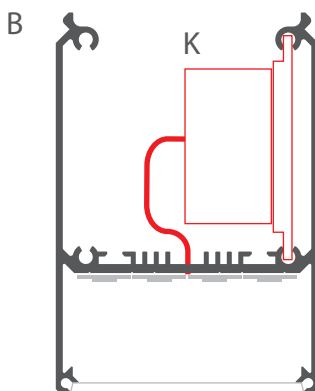
3. Install the LED strips (G) and the large cover (I) in the extrusion (B).



4. Attach the selected power supply to the power supply bracket (K).



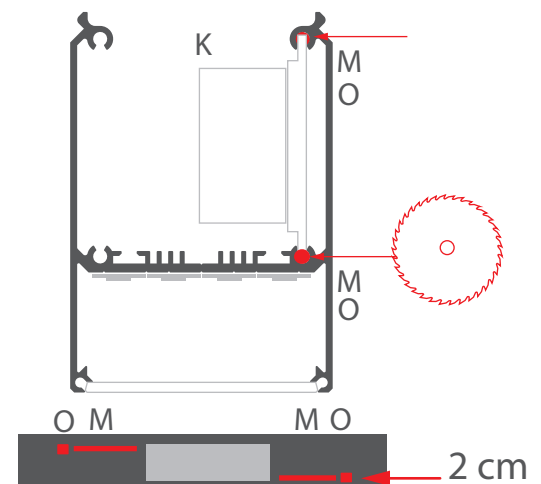
5. Insert the power supply bracket (K) in the extrusion (B).



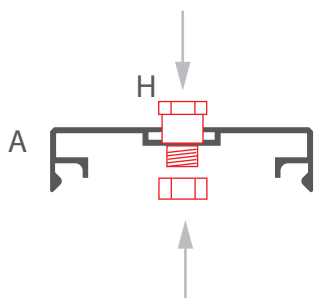
6. Secure the power supply bracket (K) by inserting one 2.4 mm plastic rod (M) into the guides on each side. Cut the rods to the required length. Next secure the rods with M3 pressure screws (O), tightening them with the Allen wrench to a min. depth of 2 cm.

cross-section

side view

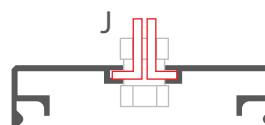


7. Insert the gland (H) in the mounting strip (A). The gland manual can be downloaded at www.klusdesign.com



8. Install the hanger (J). The hanger manual can be downloaded at www.klusdesign.com

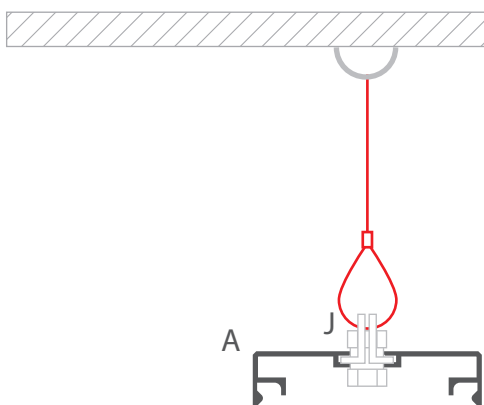
cross-section



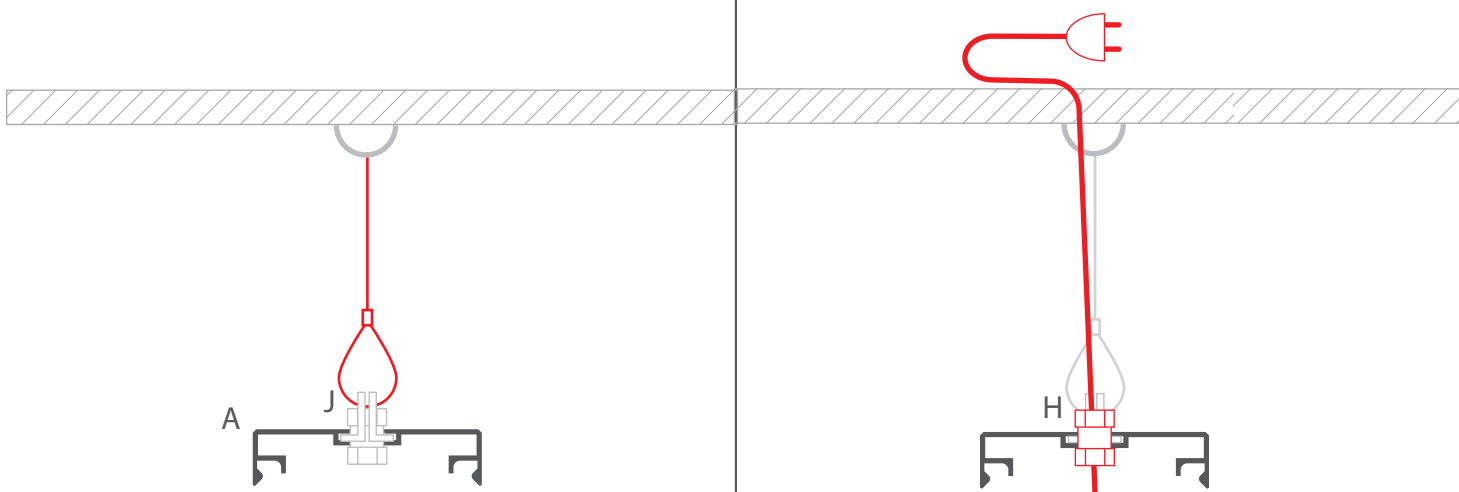
top view



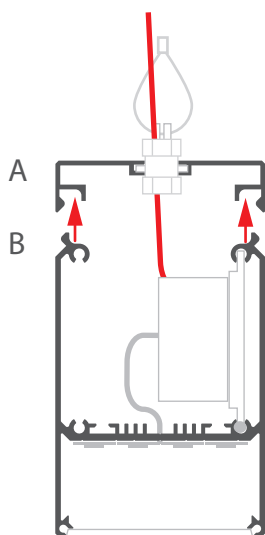
9. Suspend the mounting strip (A) using the hangers (J) and a chosen suspension system.



10. Feed the power cable from the ceiling and through the gland (H).

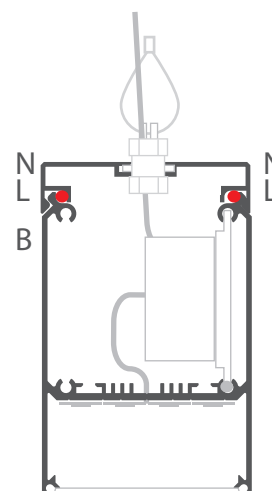


11. Assemble the extrusion (B) with the mounting strip (A). Connect the LED strips and run the cable through the gland to the power supply.



12. Secure the extrusion (B) against falling off by inserting the 2,9 mm plastic rods (L) into the guides and tightening them with M5 pressure screws (N) using the Allen wrench.

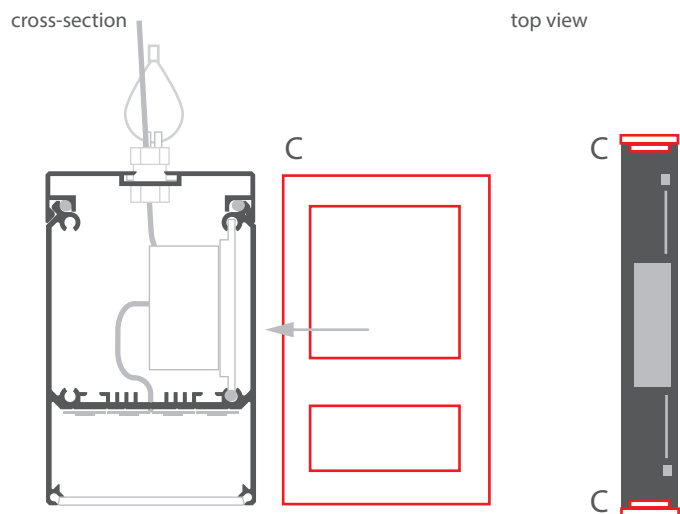
cross-section



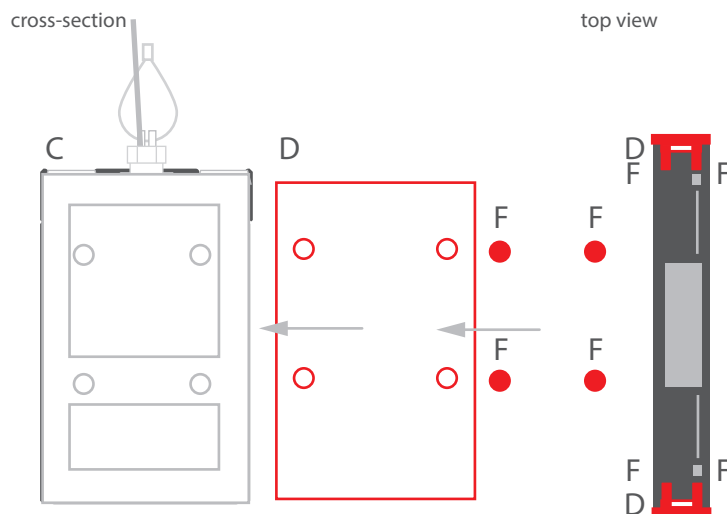
top view



13. Insert the gaskets (C).



14. Put the brackets (D) in the hollows of the gaskets (C) and tighten them with the bolts (F).



15. Insert the masking cover (E) into the collar of the gaskets (C).

