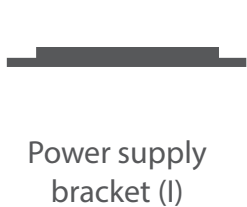
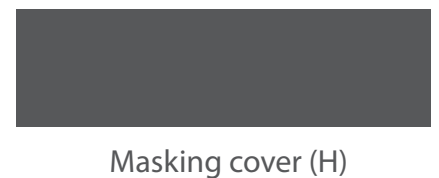
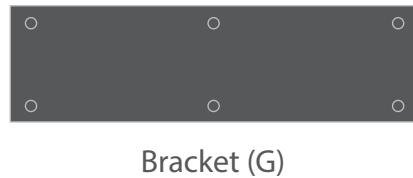
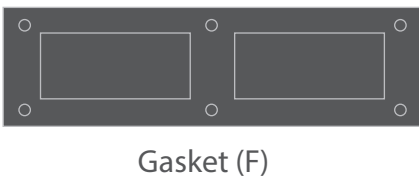
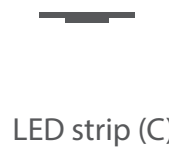
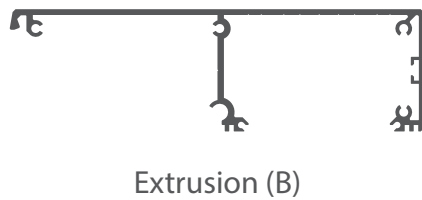
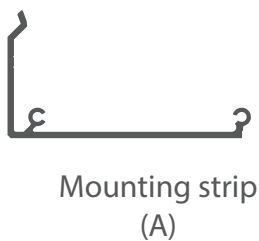


Parts needed to mount the KIDES extrusion



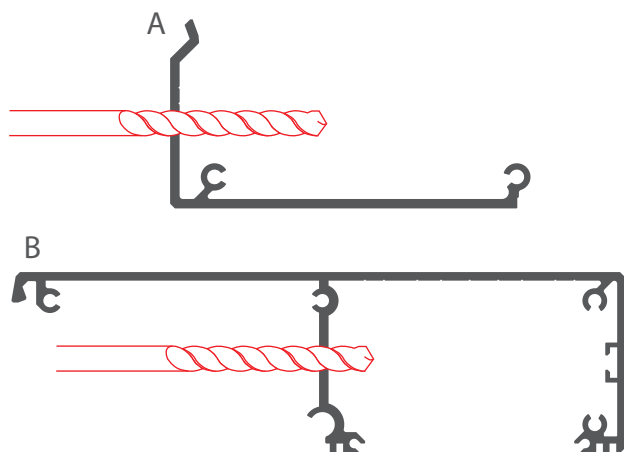
Tools needed for mounting:

- drill
- screwdriver
- screws
- hand saw

NOTE! All LED strips must be connected to a 12 V or 24 V power supply.

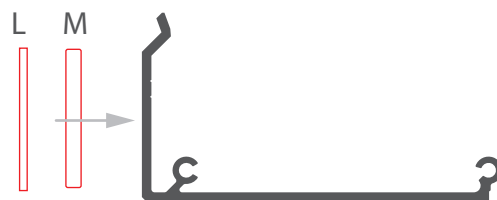
IMPORTANT: The manual presents the simplest mounting procedure.
More mounting procedures and related accessories can be found at klusdesign.eu

1. Drill holes in the mounting strip (A) (min. two) and a hole for the gland. Drill a hole for the power cable in the extrusion (B).



2. Insert the cable gland (M) and the spacers (L) into the holes.

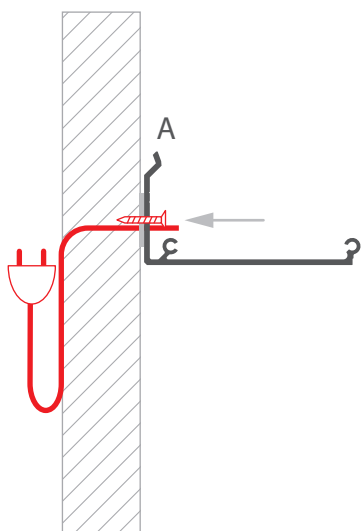
cross-section



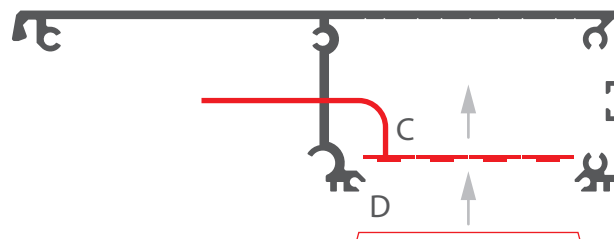
top view



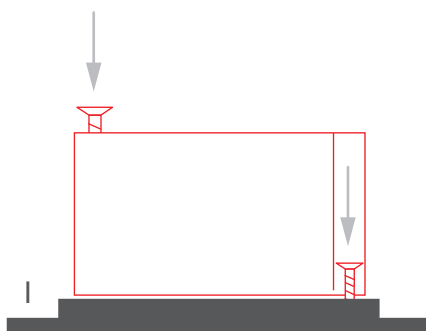
3. Attach the mounting strip (A) to the mounting surface with screws suitable for the material. Feed the power cable.



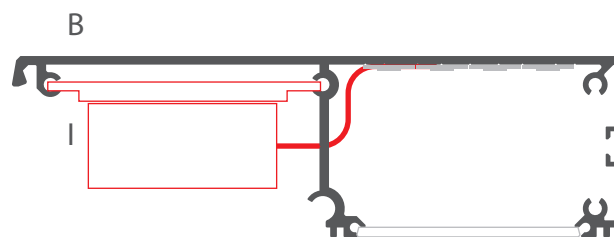
4. Install the LED strips (C), lead out the cable and insert the cover (D).



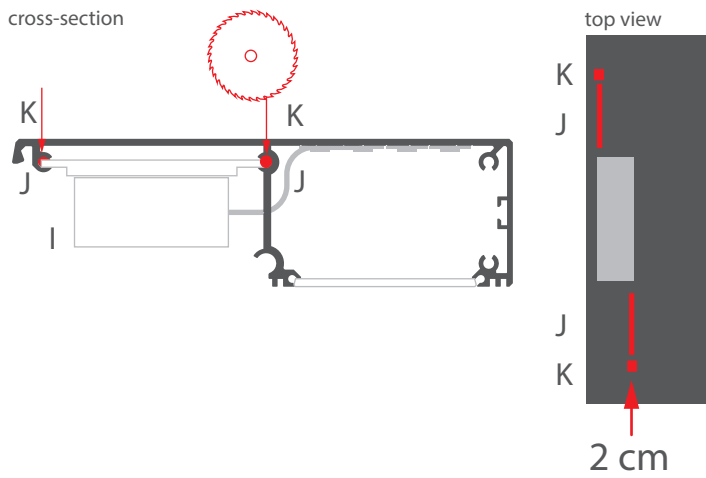
5. Attach the selected power supply to the power supply bracket (I).



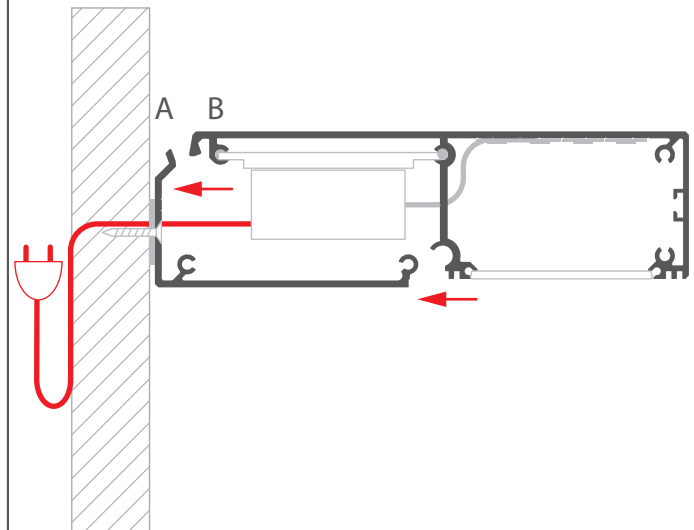
6. Insert the power supply bracket (I) into the extrusion (B).



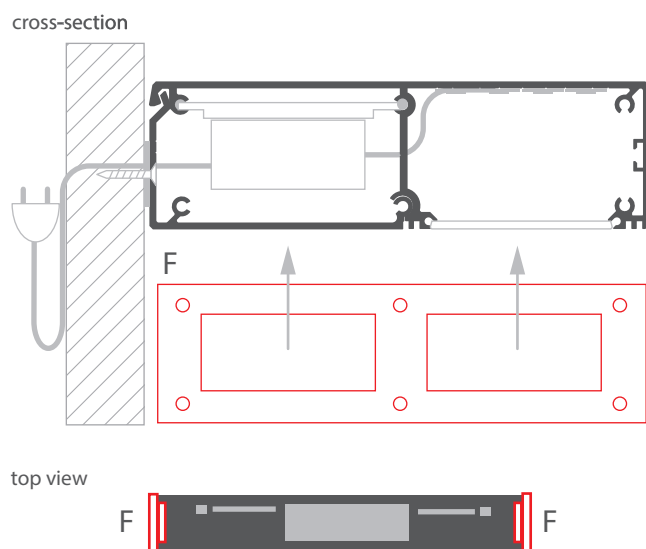
7. Secure the power supply bracket (I) with the power supply by inserting one 2.4mm plastic rod (J) into the guides on each side. Cut the rods to the required length. Next secure the rods with M3 pressure screws (K), tightening them with the Allen wrench to a min. depth of 2 cm



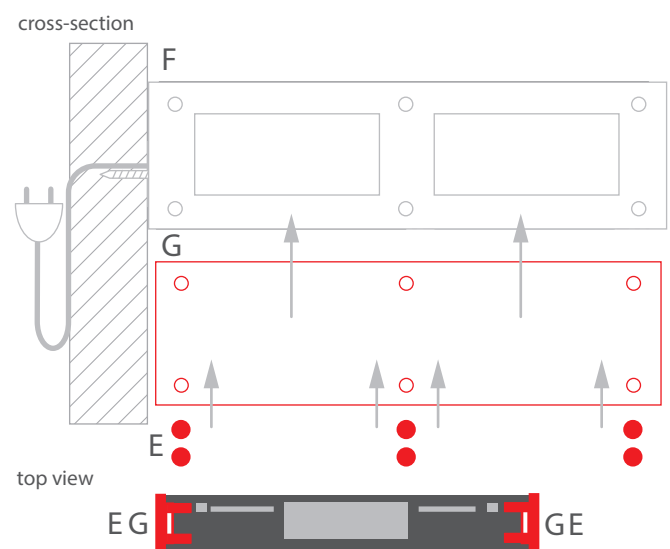
8. Assemble the extrusion (B) with the mounting strip (A) and connect power.



9. Insert the gaskets (F).



10. Insert the brackets (G) into the hollows of the gaskets (F) and secure them with bolts (E).



11. Insert the masking cover (H) into the collar of the gaskets (F).

