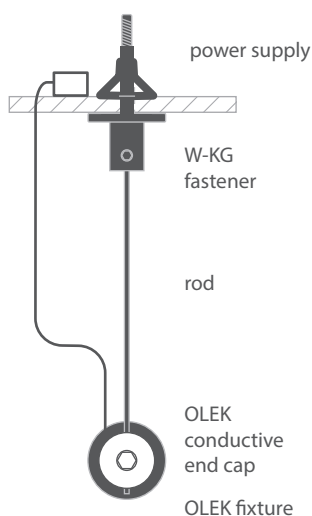
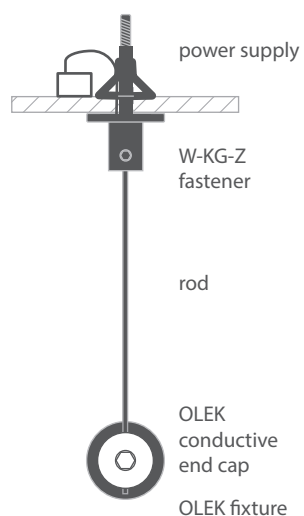


Instruction includes methods of montage:

**1) Rod - non-conductive
(drop lead)**



**2) Rod - conductive driven
power supply**



Tools needed for mounting:

- drill
- allen wrench
- soldering iron

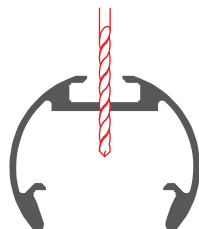
WARNING! All LED strips should be connected to a 12 V or 24 V power supply.

IMPORTANT: The mounting instructions present the basic form of assembly. More methods and related accessories can be found at www.klusdesign.eu

*If fully built fixtures are ordered and received from KLUS please skip to #4

1. Drill a hole in the extrusion to lead the powering cable.

cross-section

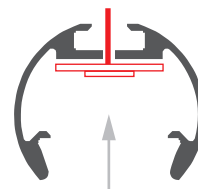


top view

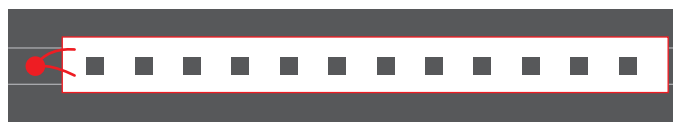


2. Mount the LED strip in the extrusion and lead the powering cable.

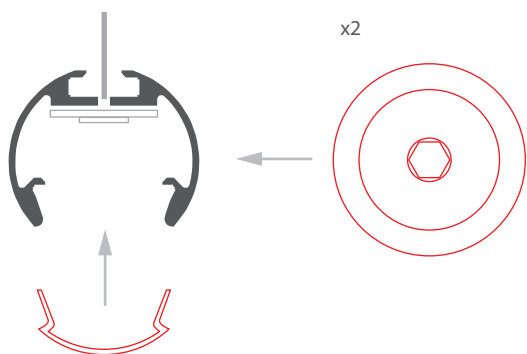
cross-section



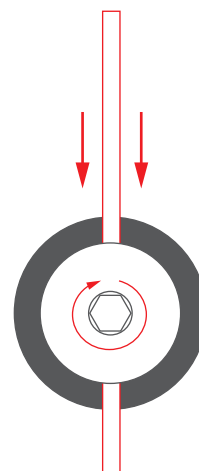
bottom view



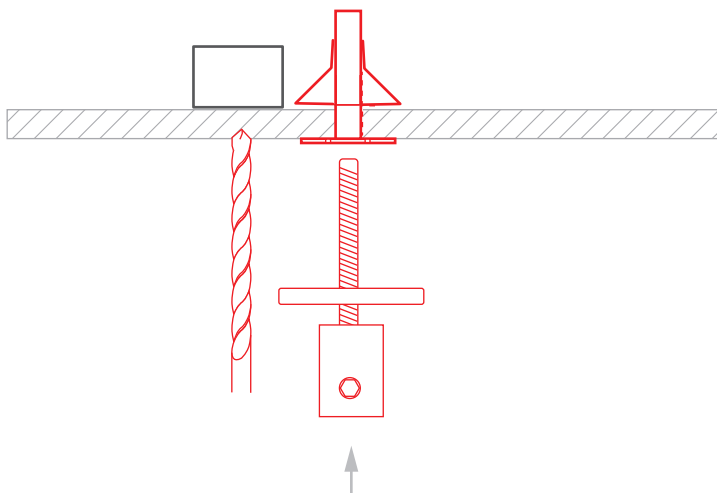
3. Install the cover and both conductive end caps.



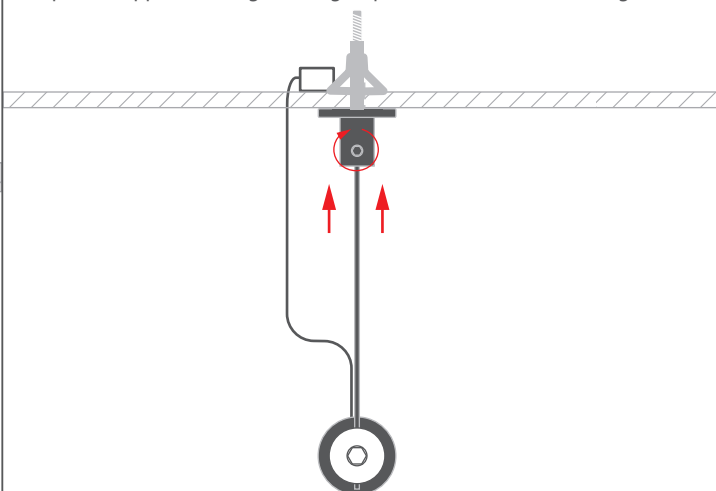
4. Insert the rods into the holes in the head of the conductive end caps in tighten them with an allen wrench.



5. Install the W-KG ceiling fasteners. The fastener installation manual can be downloaded at www.klusdesign.eu. Place the power supplier next to the fastener and drill the ceiling to lead the cable to it.



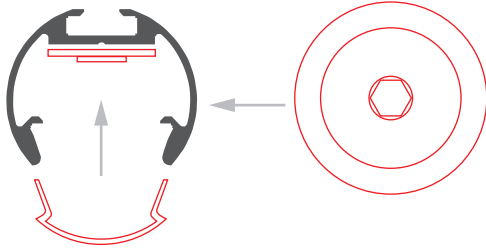
6. Mount the fixture with rods into the ceiling fasteners. Connect the cable to the power supplier, leading it through a pre-drilled hole in the ceiling.



*If fully built fixtures are ordered and received from KLUS please skip to #3

- 1.** Install the cover, LED and both the conductive end caps. The conductive plates inside the end caps must be soldered each to the separate pole on the LED strip.

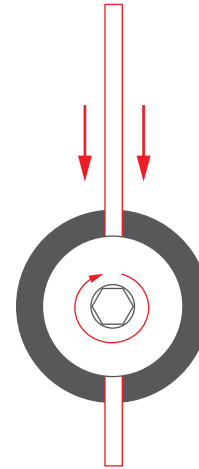
cross-section



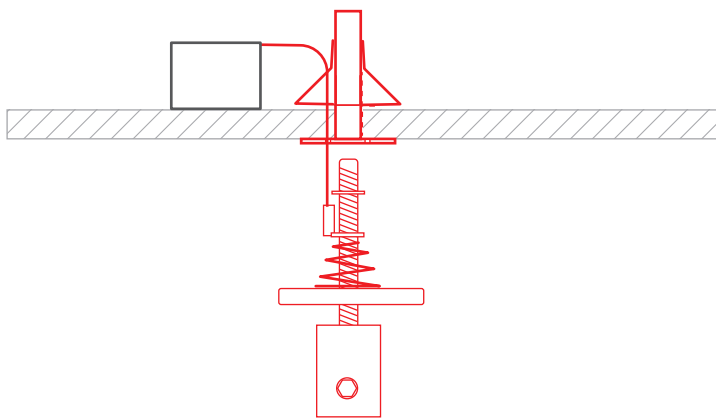
bottom view



- 2.** Insert the rods into the holes in the head of the conductive end caps in tighten them with an allen wrench.



- 3.** Install the W-KG-Z ceiling fasteners. The fastener installation manual can be downloaded at www.klusdesign.eu. Connect the cables, each for the single power pole to the fasteners. The cables should go through a pre-drilled hole just under the masking cover of the fastener.



- 4.** Mount the fixture with rods into the ceiling fasteners. Mind that the power poles connected to the rods should match the ones connected to the end caps.

