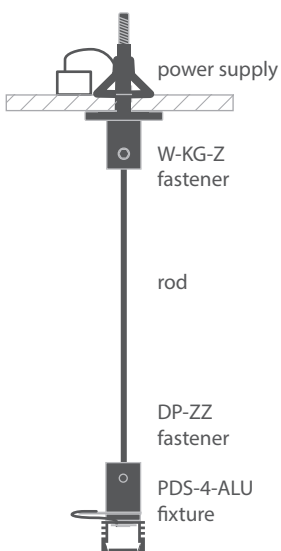
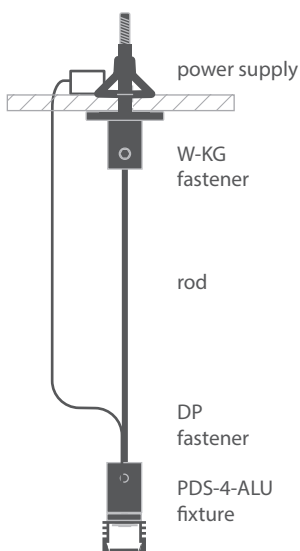


Instruction includes methods of montage:

**1) Rod - conductive driven power supply,
with an external power connector**



**2) Rod - non-conductive
(drop lead)**



Tools needed for mounting:

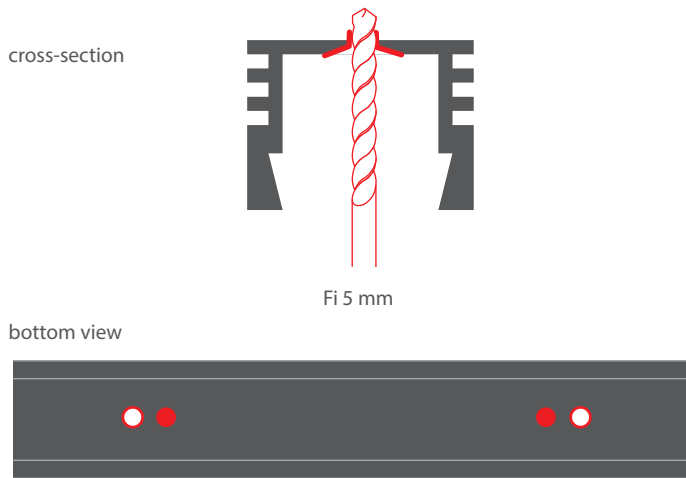
- drill
- pliers
- allen wrench
- soldering iron

NOTE! All LED strips must be connected to a 12 V or 24 V power supply.

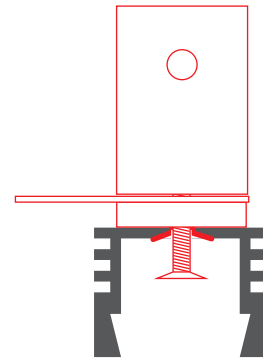
IMPORTANT: The manual presents the simplest mounting procedure.
More mounting procedures and related accessories can be found at klusdesign.eu

*If fully built fixtures are ordered and received from KLUS please skip to #4

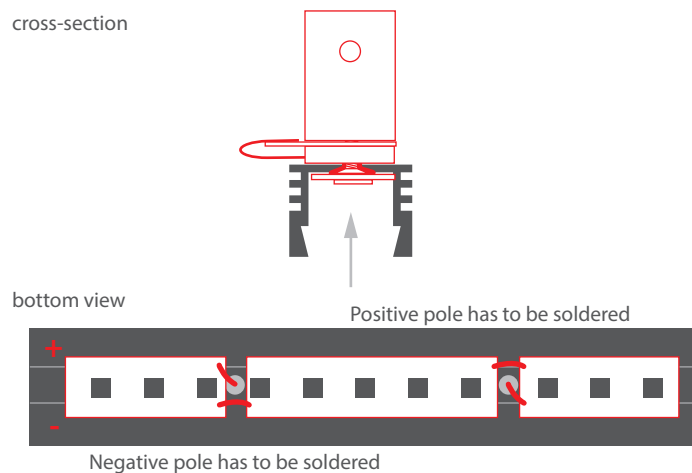
1. Drill a holes with a diameter of 5 mm in the selected extrusion. 4 holes are needed to mount the fasteners and lead powering cables. Bevel the 2 holes for the fasteners so that the plastic screw head fits in.



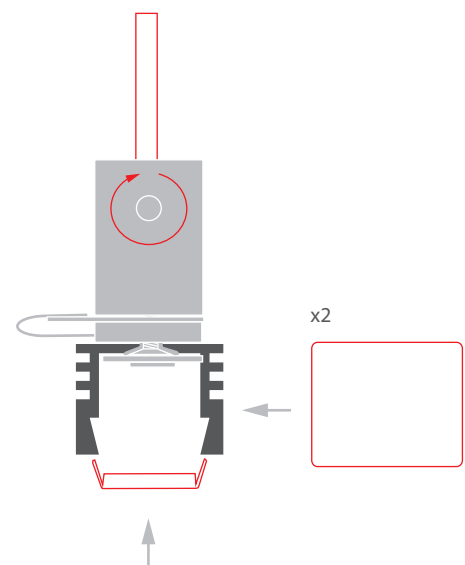
2. Mount the plastic screw in the beveled holes, on the top mount the assembled plastic base, small power connector and head. Manual for the DP-ZZ fastener can be downloaded from www.klusdesign.eu.



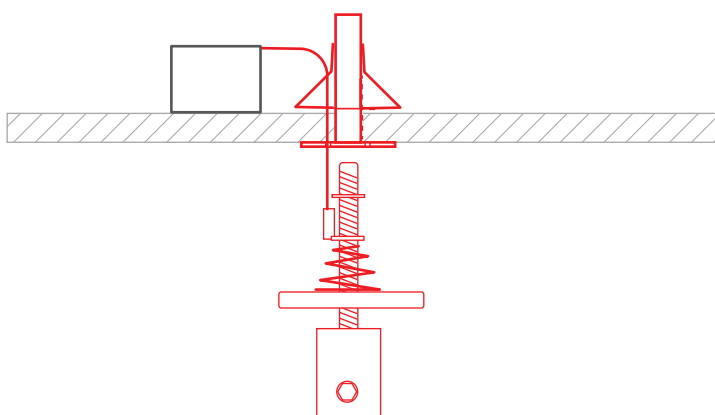
3. Mount the LED strip in the extrusion and lead the cables through pre-drilled holes. Then lead them to the connector of the DP-ZZ fasteners. Each hole should lead a cable with one power pole, LED strip has to be cut before installation, so the wires can be easily routed to the holes.



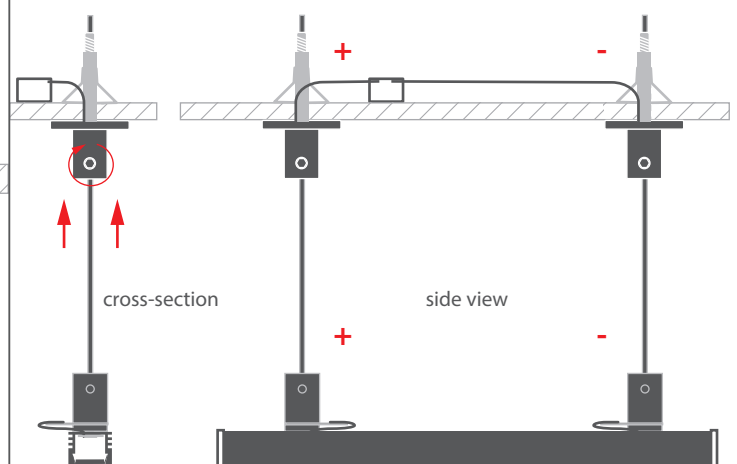
4. Install the rod, cover and both end caps.



5. Install the W-KG-Z ceiling fasteners. The fastener installation manual can be downloaded at www.klusdesign.eu. Connect the cables, each for the single power pole to the fasteners. The cables should go through a pre-drilled hole just under the masking cover of the fastener.

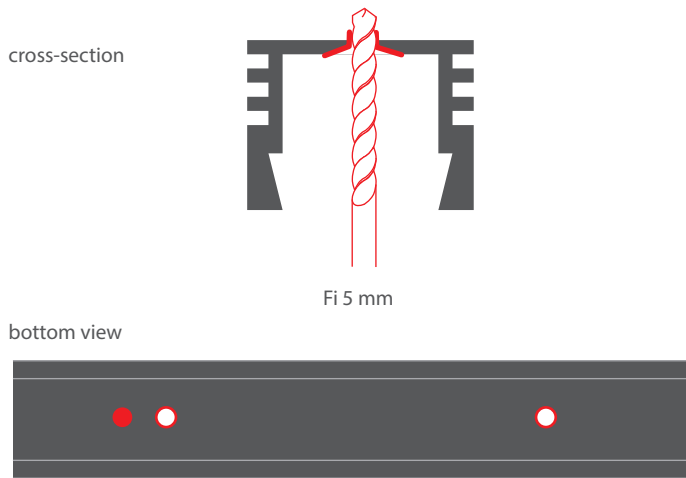


6. Mount the fixture with rods into the ceiling fasteners. Mind that the power poles connected to the rods should match the ones connected to the fasteners.

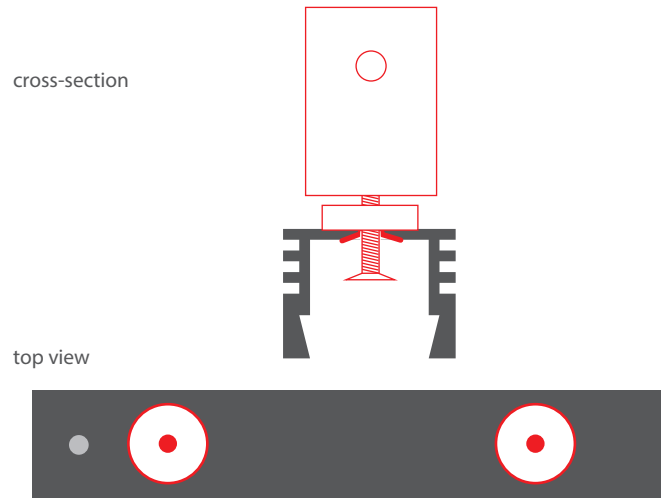


*If fully built fixtures are ordered and received from KLUS please skip to #4

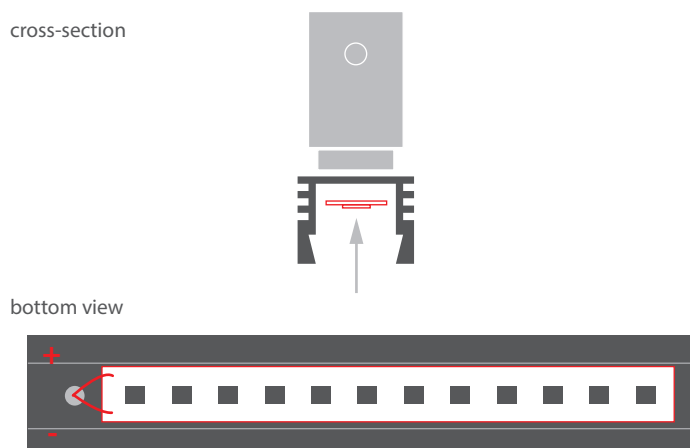
1. Drill a holes with a diameter of 5 mm in the selected extrusion. 3 holes are needed to mount the fasteners and lead powering cable. Bevel the 2 holes for the fasteners so that the plastic screw head fits in.



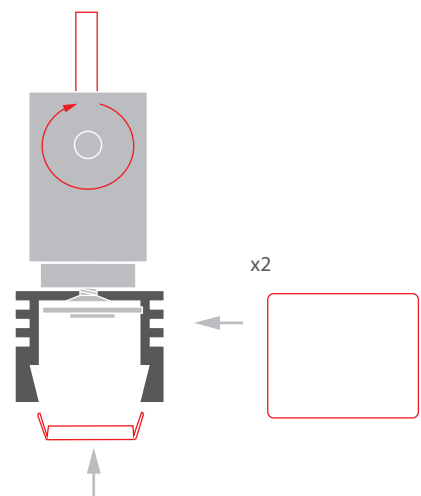
2. Mount the fasteners to the extrusion. Manual for the DP fastener can be downloaded from www.klusdesign.eu.



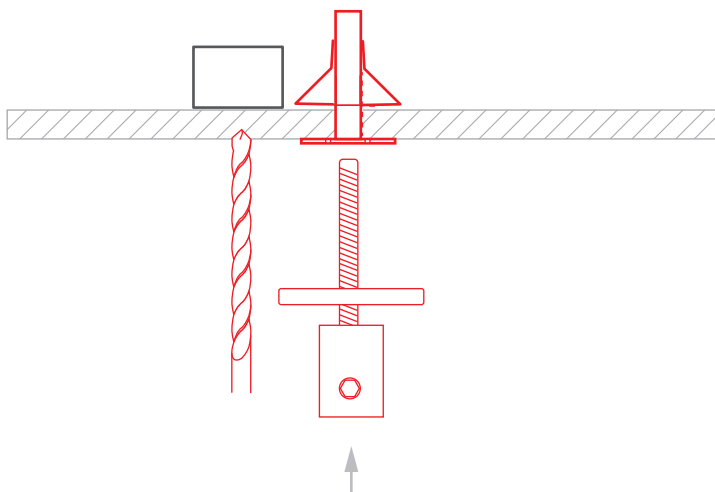
3. Mount the LED strip in the extrusion and lead the cable through a pre-drilled hole.



4. Install the rod, cover and both end caps.



5. Install the W-KG ceiling fasteners. The fastener installation manual can be downloaded at www.klusdesign.eu. Place the power supplier next to the fastener and drill the ceiling to lead the cable to it.



6. Mount the fixture with rods into the ceiling fasteners. Connect the cable to the power supplier, leading it through a pre-drilled hole in the ceiling.

