

Parts needed to mount the PDS-4-ALU extrusion



Mounting bracket (A)



Extrusion (B)



End cap (C)



LED strip (D)



Cover (E)

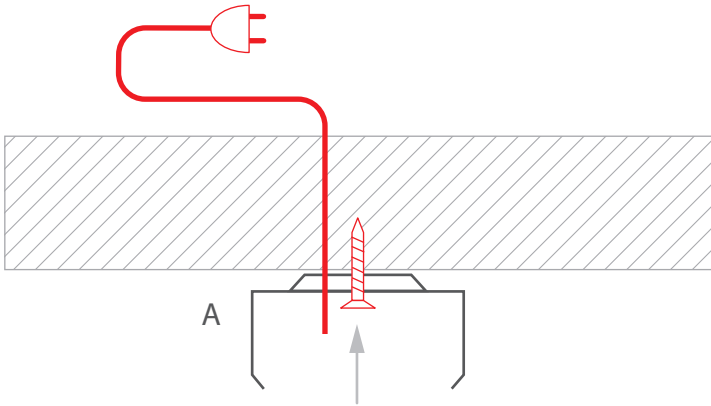
Tools needed for mounting:

- drill
- screwdriver
- screws

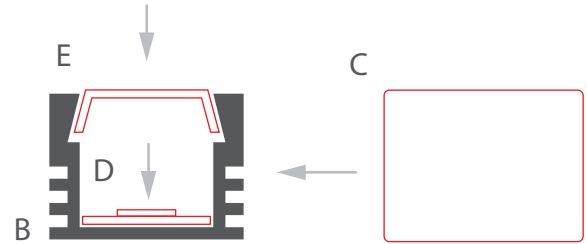
WARNING! All LED strips should be connected to a 12 V or 24 V power supply.

IMPORTANT: The mounting instructions present the basic form of assembly. More methods and related accessories can be found at www.KlusDesign.eu

1. Feed the power cable. Attach the mounting bracket (A) to the mounting surface with screws.



2. Mount the LED strip (D) in the extrusion (B), insert the cover (E) and the end cap (C).



3. Connect power to the LED strip and mount the extrusion (B) in the mounting bracket (A). There are two ways to connect power: through a hole in the extrusion or through the end cap.

